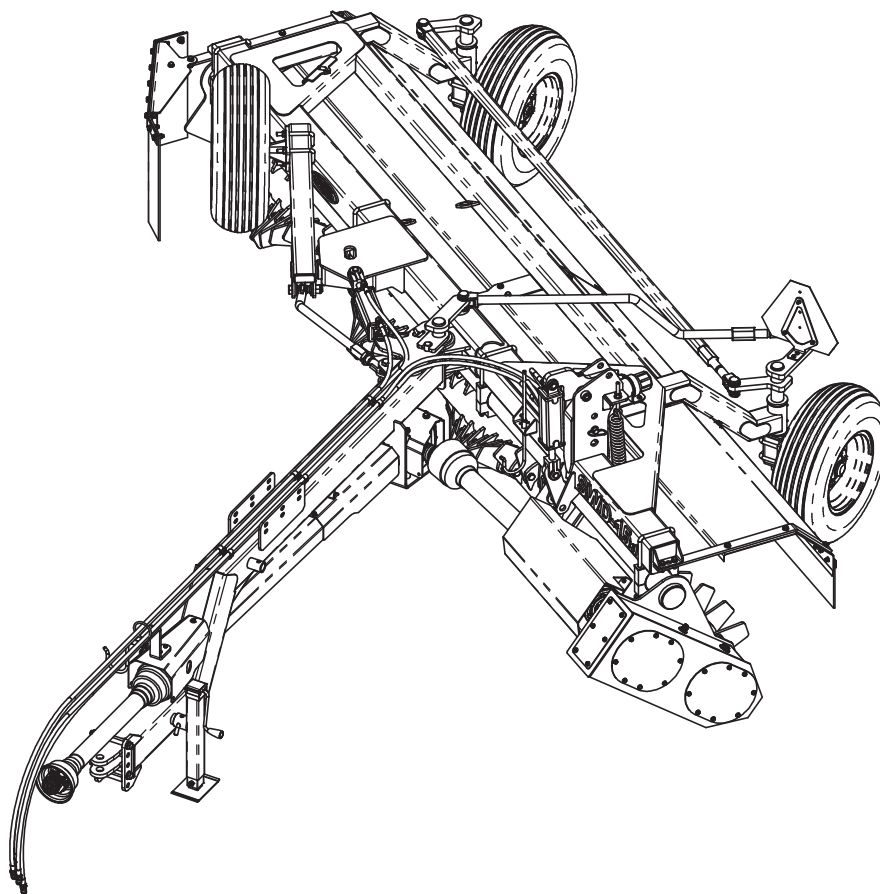




PARTS MANUAL



CAT # R0415-60002

SWD15M ROCK RAKE
R0415-00002



SAFETY



This symbol is the standard safety symbol. You will find it on most of the decals on your equipment. It is also used throughout this manual.

This symbol is used mainly to draw your attention and to warn you of possible dangers and/or potential injuries.

As the owner of this equipment, you are responsible for the safety of its users and those who are responsible for its maintenance. You and any other person using or performing maintenance on this equipment must be familiar with its operation and maintenance, as well as the safety measures contained in this manual. Having safe working practices guarantees a safer work environment.

Do not in any way modify this equipment. Unauthorized modifications could impair the proper functioning and/or safety of this equipment and possibly affect its useful life as well.

General Safety Measures

Read and understand all operating and safety instructions and guidelines contained in this manual prior to using, maintaining or adjusting the equipment.

Ensure all safety guards and shields are properly installed prior to using the equipment.

Always have a first aid kit within reach, and know how to use it.

Always have a fire extinguisher within reach, and know how to use it.

Know how to operate all controls, stop the rock rake and disengage all controls with haste.

Avoid wearing loose, cumbersome or torn clothing when you are near the rock rake.

Be extremely cautious while servicing or while near high pressure hydraulic systems. Ensure all components are fully sealed and in good working order prior to operating the equipment.

Operating Safety

Lower the rock rake, stop the tractor's engine, set controls to neutral, engage the emergency brake, remove the tractor's ignition key and wait for all moving parts to come to a full stop prior to adjusting, detaching or servicing the rock rake.

Keep hands, feet, hair and all clothing away from all moving parts and/or rotating parts.

Do not remove protective guards or shields. Ensure they are in place and properly attached.

Clear the area of all people, especially small children, prior to engaging the rock rake and/or the tractor.

Do not operate and do not leave the engine running in a non ventilated area.

Never perform adjustments, cleaning, and unclogging, greasing or other maintenance rock rake while engine is running.

Stay well away from the rock rake while it is in operation to avoid being hit by a flying rock and/or debris that may be ejected into the air.

Maintenance Safety

Lower the rock rake, stop the tractor's engine, set controls to neutral, engage the emergency brake, remove the tractor's ignition key and wait for all moving parts to come to a full stop prior to adjusting, detaching or servicing the rock rake.

Regularly check to make sure the bolts and screws are tight, and perform regular maintenance to keep the device in good working order.

Carefully examine the device to make certain that there is no damage.

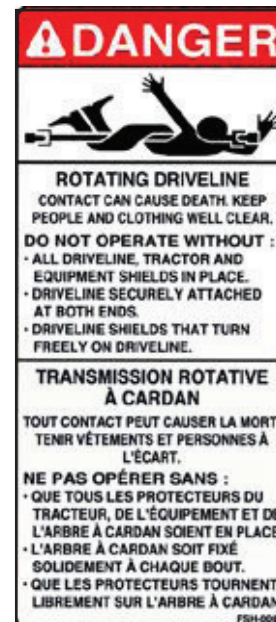
Do not in any way modify this equipment, its components or its intended use. Fabrication S.Houle Inc. will not be held responsible should breakage or injury occur as a result of using any non-approved parts or accessories.



SAFETY

Decals

Here are images of the safety decals you will find on your rock rake. For your safety and protection, please ensure that these decals are always present and legible.





OPERATION

To the New Operator or Owner

The Fabrication SHOULE SWD-15 Rock Rakes are designed to efficiently windrow rocks from 2 to 12 inches (50 to 300 mm) diameter. Many of the features incorporated into this machine are the result of suggestions made by customers like you.

It is the owner or operator's responsibility to read this manual carefully to learn how to operate the machine safely and how to set it to provide maximum efficiency. Safety is everyone's business. By following safe operating practices, a safe environment is provided for the operator and bystanders.

By following the operating instructions in conjunction with a good maintenance program, your Rock Rake will provide many years of trouble-free service.

Operation

Familiarize yourself with the various settings of the Rock Rake that are designed to allow the machine to work in a variety of field conditions. Field experience will indicate the combination of machine and operating condition to give a quality job. This section will cover the interaction of the field condition and machine setting

Rock Density

Rate the rock density as light, medium or heavy. Normally the machine ground speed will decrease as the rock density increases to insure that the teeth on the auger have the opportunity to make contact with each rock.

Soil Condition

Dry, firm ground is ideally suited for raking. Soft ground will require adjustments to the angling of the spiral drum to insure that the soil can fall between the teeth on the right end and not be moved into the windrow. Wet soil will ball up with the rocks and can plug the teeth. Give the soil more time to dry before raking.

It is recommended that the teeth on the left end of the drum penetrate the ground about 2 inches (50mm). Soft soil conditions require a lighter floatation; Hard soil a heavier floatation.

Auger RPM

Changing the engine speed changes the auger RPM. It is recommended that the PTO/Auger speed always be run at rated RPM and the ground speed be varied by changing gears in the tractor.

Forward Speed

The recommended ground speed varies from 2 to 6 mph (3,2 - 9,7 km/h) and is determined by rock density and size. When you see that rocks are being missed behind the machine, slow down. Increase the speed when the rock density decreases.

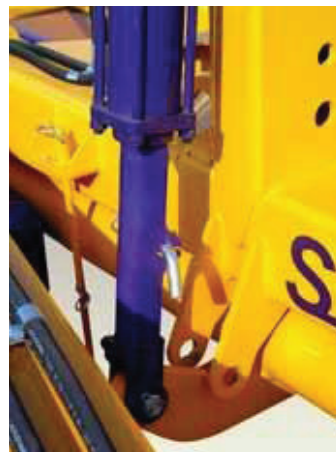
Transporting

Be sure the SMV sign is facing to the rear. Clean the SMV sign, lights, and reflectors

Always use the hazard flashers on the tractor when transporting

Do not exceed 20 mph (32 km/h) when transporting. Never exceed a safe travel speed. Slow down when cornering or on rough roads.

Open at maximum the Float Arm Hydraulic Cylinder and clip on the hydraulic cylinder stopper.





OPERATION

Suspension system

The auger is supported on springs to carry part of the weight. The springs provide suspension systems that allow the drum to float over obstacles encountered in the field and reduce the shock loads.

To adjust the spring load Turn the nut on each eyebolt until there is approximately 4 inches between the spring and the plate



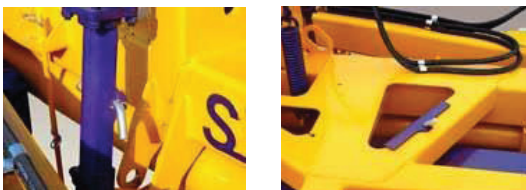
Tractor Specifications

Use only a tractor of sufficient power and weight to adequately handle the machine. It is recommended that the tractor have at least 65 Hp for efficient operating conditions.

Always attach a safety chain between the tractor and the machine to prevent unexpected separation.

Narrow Transportation to Field Transportation

Remove the hydraulic cylinder stopper and place in storage hole.



Remove the hitch pole safety pin



Retract the hitch pole cylinder in working position and replace the hitch pole safety pin.

Remove the PTO drive shaft from the storage holder and install it on gearbox output shaft. Retract the storage holder. (Not applicable for hydraulic drive system)

Remove the float arm pin and place it in the storage hole.



Field Position to Narrow Transportation

Disconnect the PTO drive shaft first to avoid possible damage. (Not applicable for hydraulic drive system)

Raise the auger to its highest position and lock the cylinder with the stopper.

Remove the hitch pole safety pin, extend the hitch pole cylinder and replace the hitch pole safety pin.



MAINTENANCE

Maintenance

Wipe the grease fittings with a clean cloth before greasing.

Lubricate all greasers for every eight hours of operation.

Verify oil level in the gear box once a month. Perform oil change once a year, using gear oil grade 80W90.

Verify drive chain tension after first eight hours of operation, and then once a month.

The auger teeth have been designed to be easily inverted when one side becomes too worn. To invert, remove the bolts. Turn the tooth over and simply bolt it back into place. While facing the rock rake, place the tooth on the left side of its support.

For Rake with: Mechanical Drive System

Check the gearbox oil level once a month. Perform oil change once a year, using gear oil grade 80W90.

During adjustment of the torque limiter, the springs must be compressed to length of 1 5/16", which should be periodically verified. Warning: if the springs are compressed to a length inferior to 1 5/16", there is a risk of damage to the gearbox and the drive chain components.



For Rake with: Hydraulic drive system

The quality of oil use is the most important factor for the longevity of the hydraulic components.

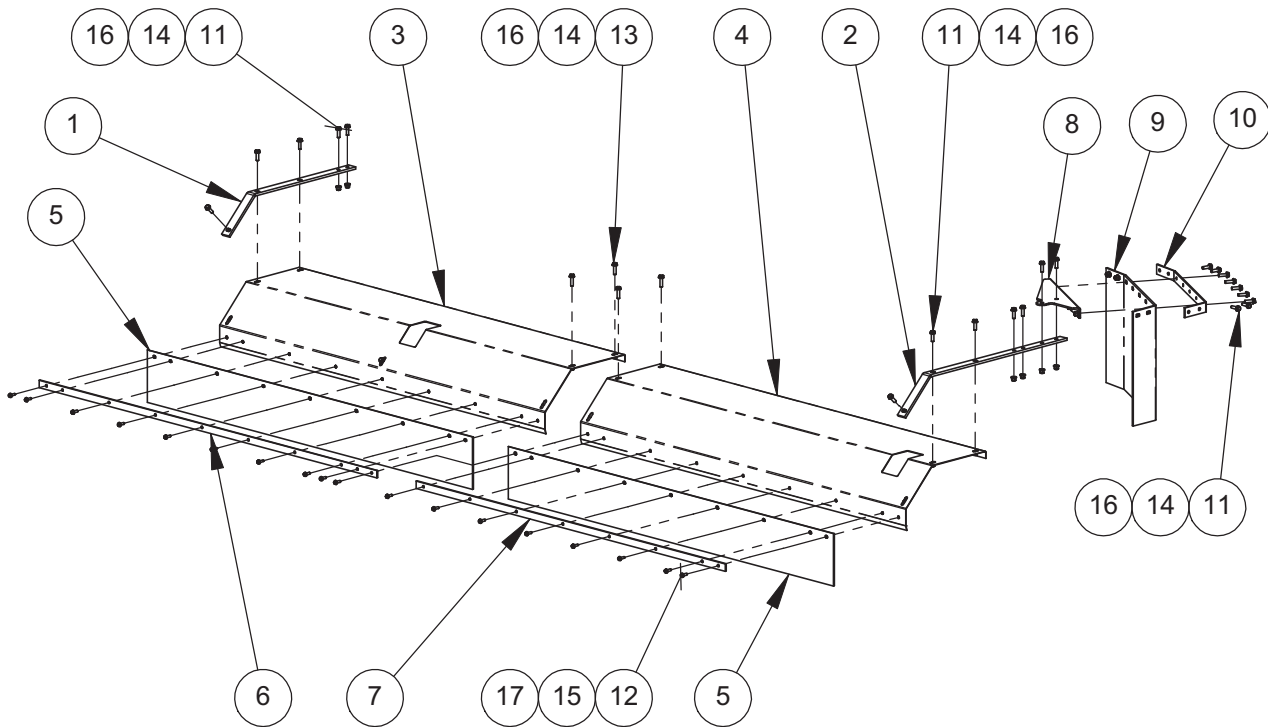
Have the oil analyzed at a hydraulic oil retailer at start of the season. This analysis will indicate the quality of your oil and let you know if you need to change the oil or the oil filter, or if using an additive will suffice.

Be mindful of the oil temperature. The temperature should be inferior to 82C (180f). If the oil temperature reaches this point, stop using rake immediately and verify the oil cooling system.

If you must add or change the oil, use oil grade TDH. Be very vigilant when filling the reservoir. If contaminants enter the reservoir, the lifespan of hydraulic components will be affected. It is recommended to fill the reservoir using a unit equipped with a filter.



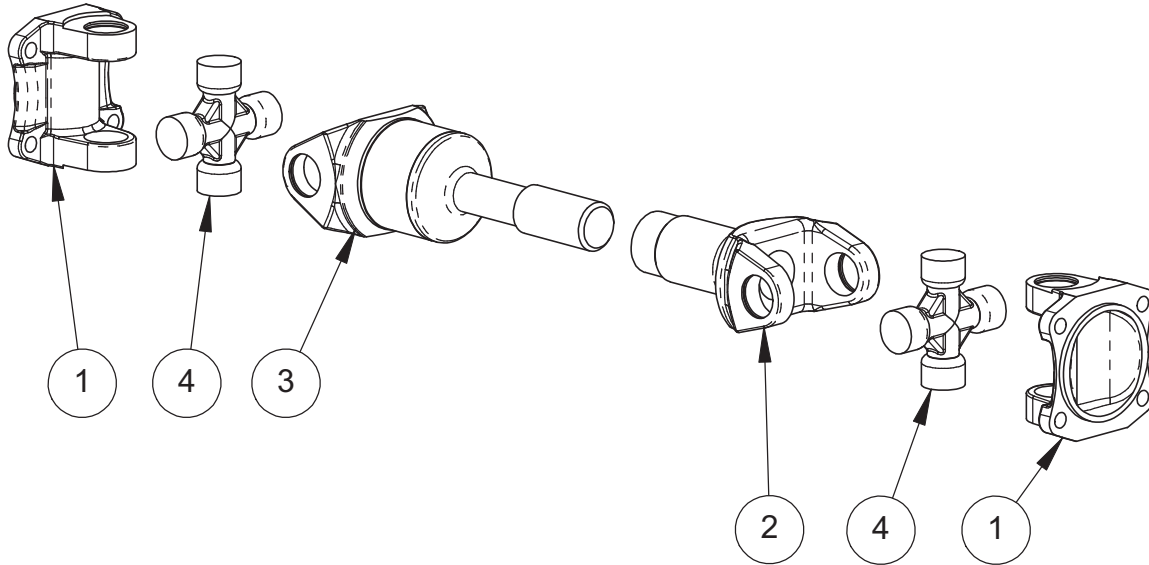
**SWD15M GUARD ASS.
R0415-04E03**



#	P. NUMBER	DESCRIPTION	QTY
1	R-04007	GUARD SUPPORT	1
2	R-04008	GUARD SUPPORT	1
3	R-04009	GUARD	1
4	R-04010	GUARD	1
5	R-04011	RUBBER GUARD	2
6	R-04012	GUARD SUPPORT	1
7	R-04013	GUARD SUPPORT	1
8	R-04014	GUARD SUPPORT	1
9	R-04015	RUBBER GUARD	1
10	R-04016	GUARD SUPPORT	1
11	45AA008130112	HEX BOLT 1/2-13NC X 1 3/4" GR5	21
12	45AA006160104	HEX BOLT 3/8-16NC x 1 1/4" GR5	18
13	45AA008130200	HEX BOLT 1/2-13NC x 2" GR5	5
14	46AB008	HARDENED FLAT WASHER 1/2"	52
15	46AB006	HARDENED FLAT WASHER 3/8"	36
16	47AB00813	NYLON NUT 1/2-13 NC	26
17	47AB00616	NYLON NUT 3/8-16NC	18



**1480 DRIVE SHAFT ASS.
R0415-06E04**

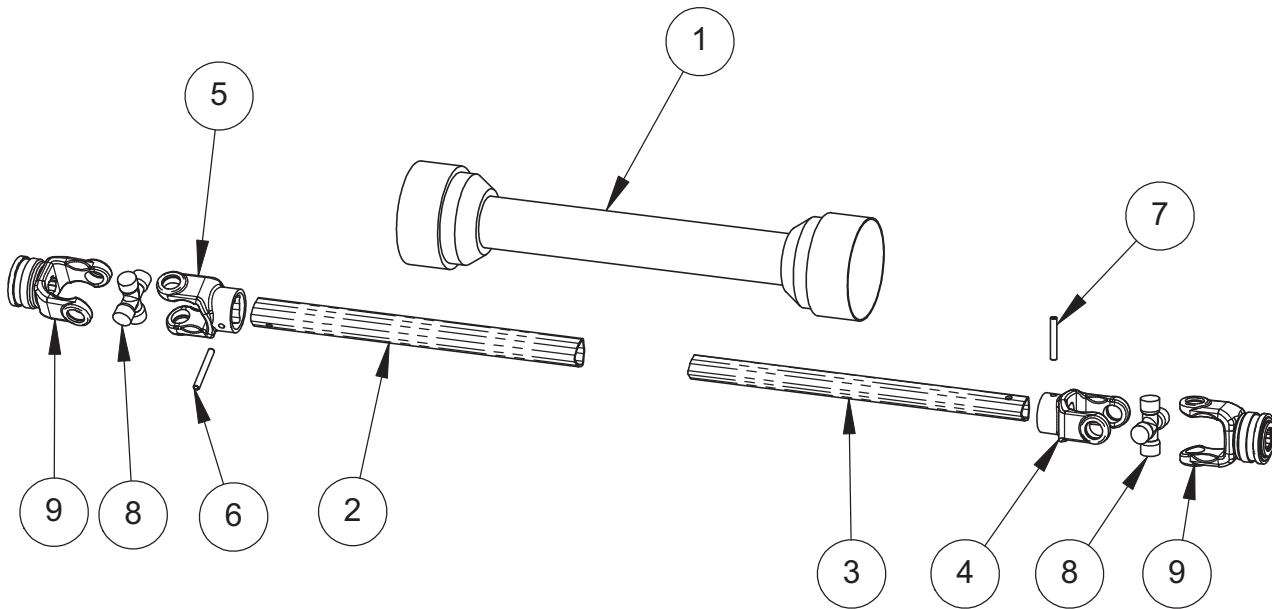


#	P. NUMBER	DESCRIPTION	QTY
1	06026-5	1480 FLANGE YOKE	2
2	06066-2	SLIP YOKE 1480	1
3	R-06017	1480 TUBE YOKE ASS.	1
4	06012-11	CROSS 1480 SERIES	2



PTO-T60x28" (1 3/8-6 COLLARx 1 3/8-6 COLLAR)

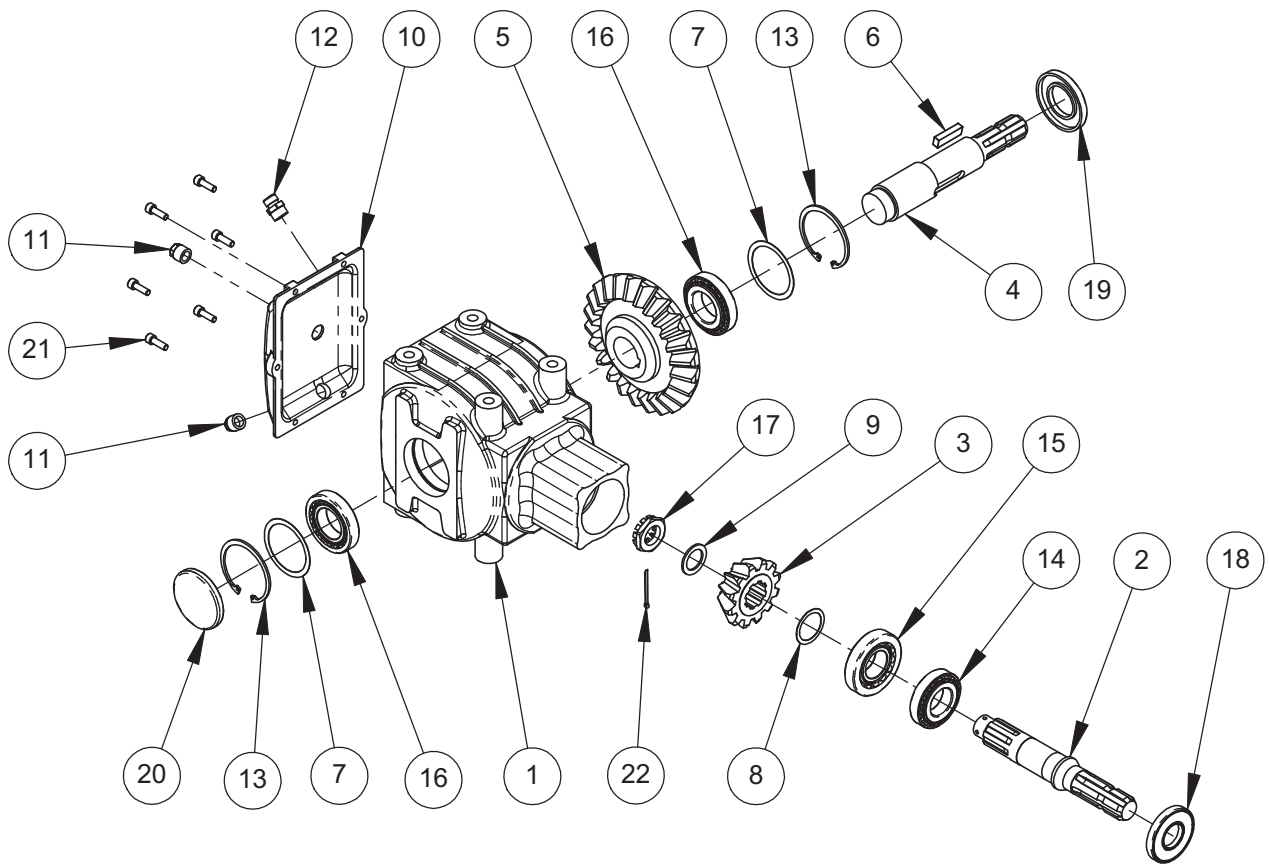
06047



#	P. NUMBER	DESCRIPTION	QTY
1	06044-2	COMPLETE GUARD T60 (30 1/8")	1
2	06039-2	OUTER TUBE T60 SERIES (21 5/8")	1
3	06040-2	INNER TUBE T60 SERIES (22 1/4")	1
4	06014-4	INNER TUBE YOKE T60 SERIES	1
5	06015-4	OUTER TUBE YOKE T60 SERIES	1
6	06046-3	ROLL PIN 80 MM X 10 DIA	1
7	06046-2	ROLL PIN 70 MM X 10 DIA	1
8	06012-4	CROSS 60 SERIES	2
9	06013-4	COLLAR YOKE 60 SERIES 1 3/8 -6	2



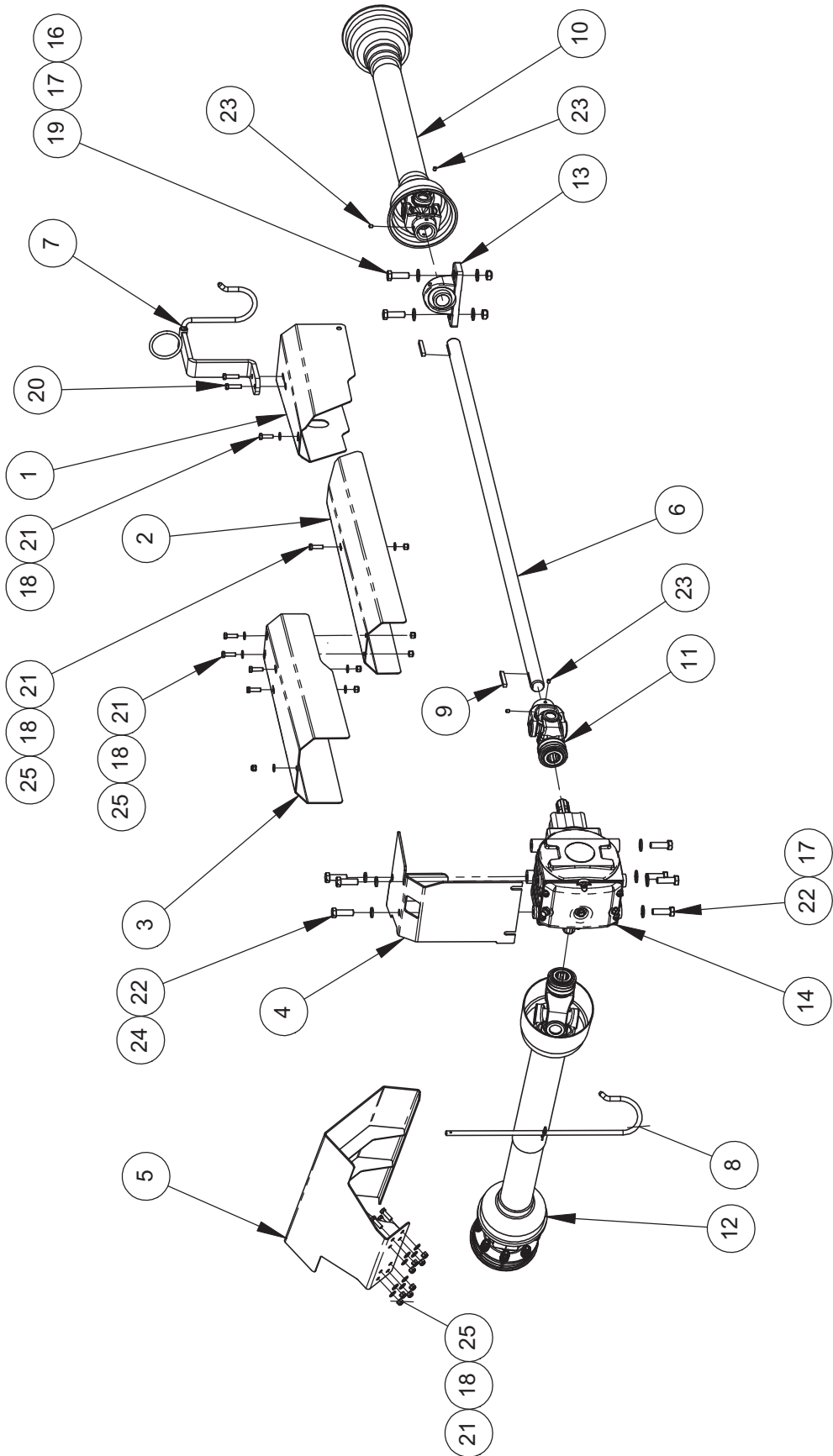
GEAR BOX T22A 06073



#	P. NUMBER	DESCRIPTION	QTY
1	06073-1	CASING	1
2	06073-2	SHAFT	1
3	06073-3	M7-Z12 PINION	1
4	06073-4	SHAFT	1
5	06073-5	Z29-M7 CROWN WHEEL	1
6	06073-6	KEY 14 X 9 X 45mm	1
7	06073-7	SHIM 84mm X 4mm	2
8	06073-8	SHIM 51mm X 7mm	1
9	06073-9	SHIM 30.3mm	1
10	06073-10	COVER	1
11	06073-11	PLUG	2
12	06073-12	OIL FILLER PLUG	1
13	06073-13	SNAP RING	2
14	06073-14	BEARING 30208	1
15	06073-15	BEARING 30308	1
16	06073-16	BEARING 30209	2
17	06073-17	CASTLE NUT M30 X 1.5	1
18	06073-18	OIL SEAL 35-80-10	1
19	06073-19	OIL SEAL 45-85-10	1
20	06073-20	CAP	1
21	06073-21	SOCKET CAP SCREW M8 X 1.25 X 25	6
22	06073-22	COTTER PIN B4 X 50mm	1



DRIVE SYSTEM ASS.
R0415-06E06





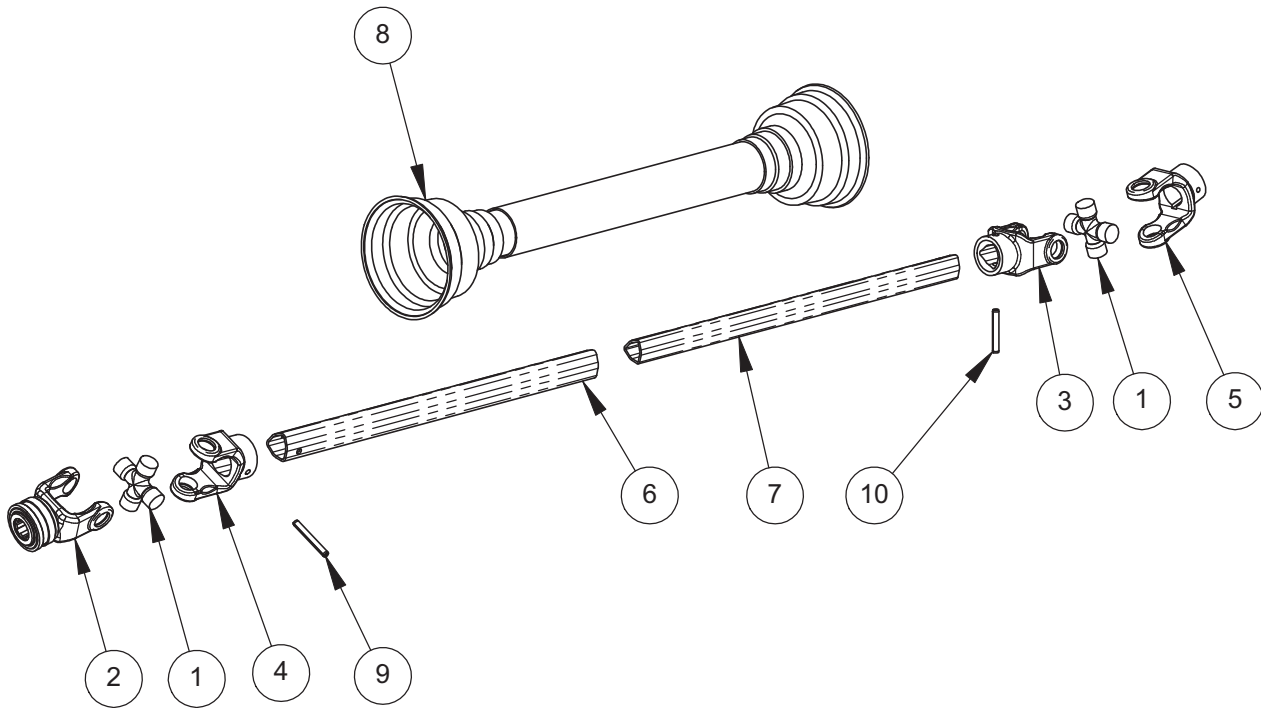
**DRIVE SYSTEM ASS.
R0415-06E06**

#	P. NUMBER	DESCRIPTION	QTY
1	R-04020	GUARD	1
2	R-04021	GUARD	1
3	R-04022	GUARD	1
4	R-04023	GUARD	1
5	R-04039	GUARD	1
6	R-06007	DRIVE SHAFT	1
7	R-43013	PTO HOLDER	1
8	R-43014	PTO HOLDER	1
9	UN-06001-20	KEY 3/8" X 3/8" X 2 11/16" 1RE	2
10	06053	PTO T60 x 34" (1 1/2 KEY 3/8_1 3/8-6 COLLAR)	1
11	06059	UNIVERSEL JOINT 60 SERIE (1 1/2 KEY 3/8_1 3/8-6)	1
12	06070	PTO T80x44"(1 3/8-6 COLLAR_1 3/4-6 CLUTCH F4)	1
13	34017	PILLOW BLOCK 1 1/2"	1
14	06073	GEAR BOX T22A	1
15	35014-3	HITCH PIN CLIPS 1/8" x 2 9/16"	1
16	47AC01011	STOVER LOCK NUT 5/8-11NC	2
17	46AB010	HARDENED FLAT WASHER 5/8"	8
18	46AB006	HARDENED FLAT WASHER 3/8"	15
19	45AA010110200	HEX BOLT 5/8-11NC x 2" GR5	2
20	45AA006160108	HEX BOLT 3/8-16NC x 1 1/2" GR5	2
21	45AA006160104	HEX BOLT 3/8-16NC x 1 1/4" GR5	14
22	45MA16150050	METRIC BOLT M16 X 1.50 X 50 GR 8.8	7
23	45DA05180006	SOC.H. SET SCREW 5/16-18NCx3/8"	4
24	46AC010	LOCK WASHER 5/8"	3
25	47AB00616	NYLON NUT 3/8-16NC	14



PTO T60 x 34" (1 1/2 KEY 3/8_1 3/8-6 COLLAR)

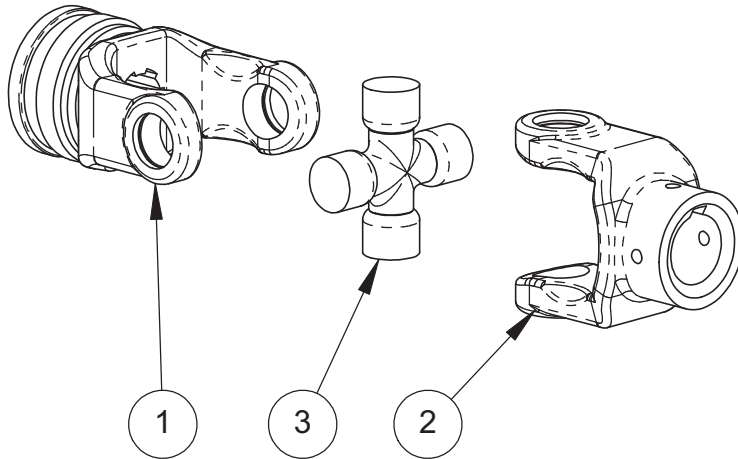
06053



#	P. NUMBER	DESCRIPTION	QTY
1	06012-4	CROSS 60 SERIES	2
2	06013-4	COLLAR YOKE 60 SERIES 1 3/8 -6	1
3	06014-4	INNER TUBE YOKE T60 SERIES	1
4	06015-4	OUTER TUBE YOKE T60 SERIES	1
5	06021-5	YOKE 60 SERIES_1 1/2 KEY 3/8	1
6	06039-4	OUTER TUBE T60 SERIES (27 1/2")	1
7	06040-4	INNER TUBE T60 SERIES (28 1/8")	1
8	06071	COMPLETE GUARD T60 (860mm)	1
9	49AB10080	METRIC SPRING PIN 10 X 80	1
10	49AB10070	METRIC SPRING PIN 10 X 70	1



UNIVERSEL JOINT 60 SERIE (1 1/2 KEY 3/8_1 3/8-6) 06059

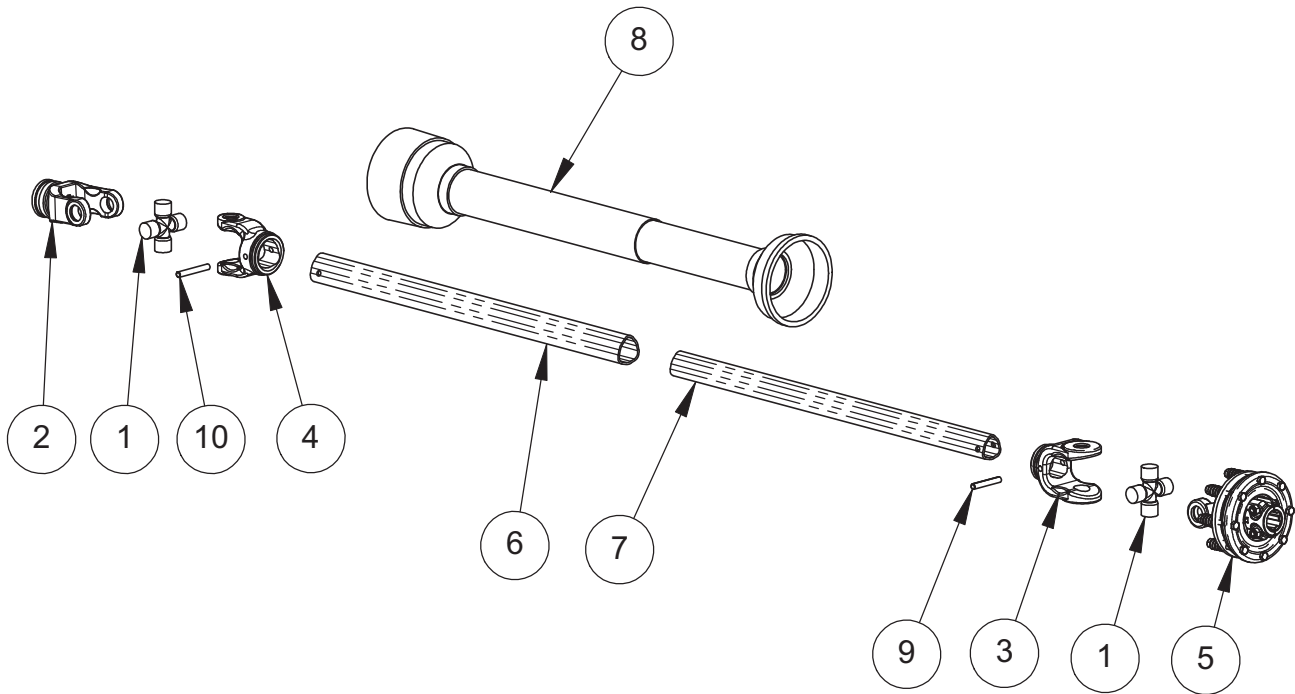


#	P. NUMBER	DESCRIPTION	QTY
1	06013-4	COLLAR YOKE 60 SERIES 1 3/8 -6	1
2	06021-5	YOKE 60 SERIES_1 1/2 KEY 3/8	1
3	06012-4	CROSS 60 SERIES	1



PTO T80x44"(1 3/8-6 COLLAR_1 3/4-6 CLUTCH F4)

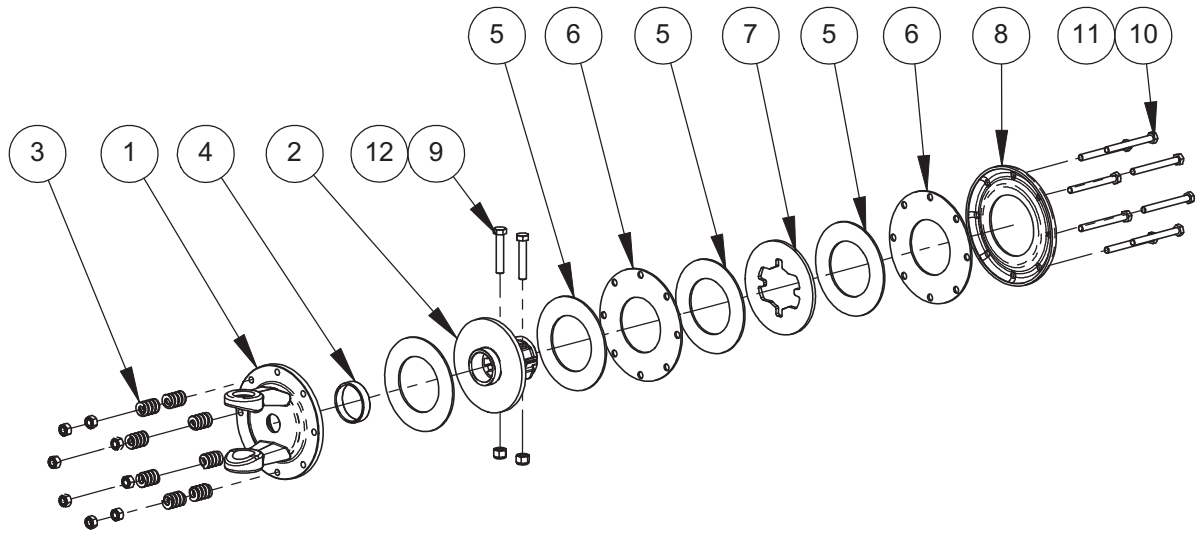
06070



#	P. NUMBER	DESCRIPTION	QTY
1	06012-5	CROSS 80 SERIES	2
2	06013-6	COLLAR YOKE 80 SERIES 1 3/8-6	1
3	06014-5	INNER TUBE YOKE T80 SERIES	1
4	06015-5	OUTER TUBE YOKE T80 SERIES	1
5	06030	DISC CLUTCH TORQUE LIMITER SERIES 80 F4	1
6	06067	OUTER TUBE T80 SERIES (920mm)	1
7	06068	INNER TUBE T80 SERIES (935mm)	1
8	06069	COMPLETE GUARD T80 (1110mm)	1
9	06046-4	SPRING PIN 12mm x 80mm	1
10	06046-5	SPRING PIN 12mm X 90mm	1



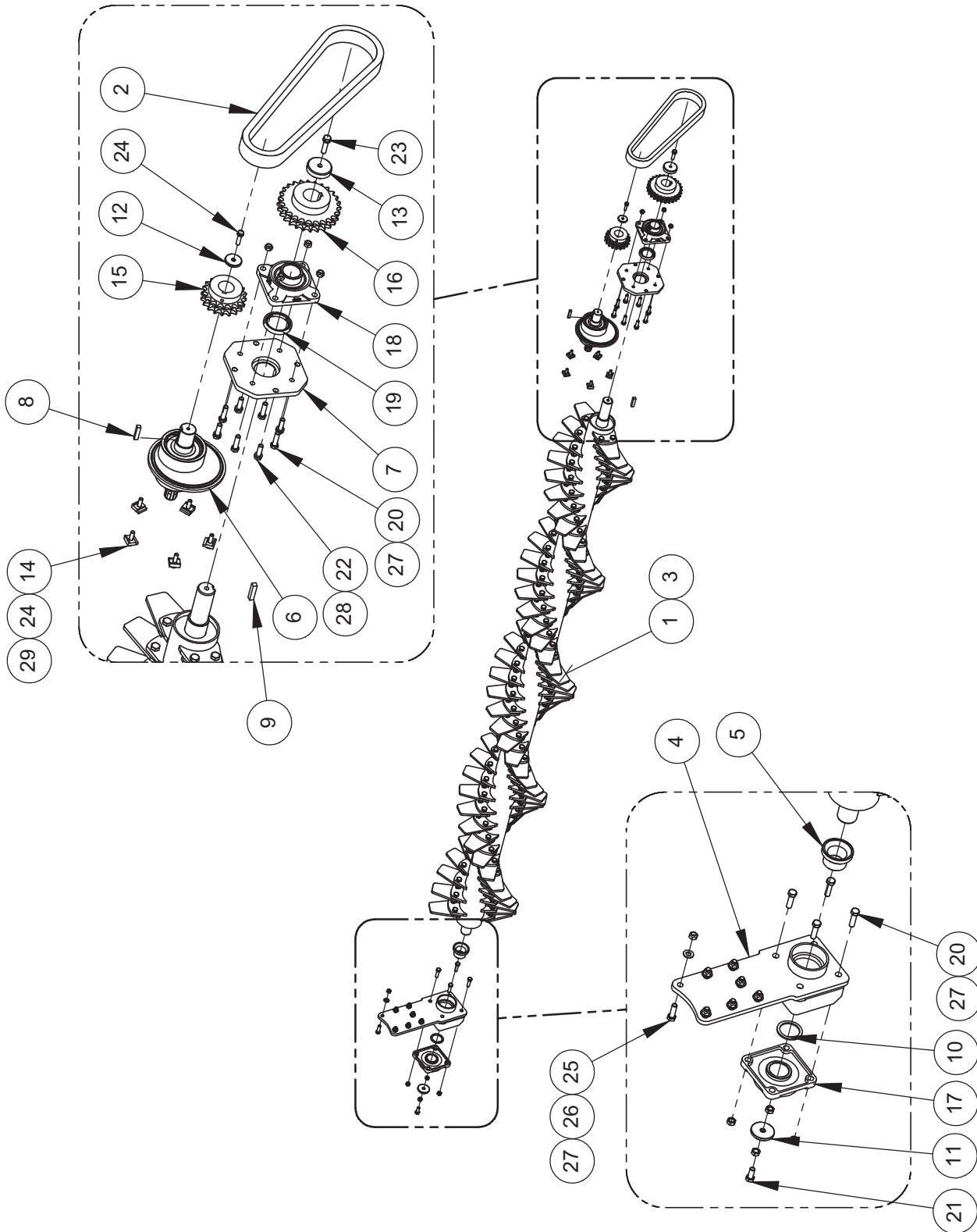
DISC CLUTCH TORQUE LIMITER SERIES 80 F4 06030



#	P. NUMBER	DESCRIPTION	QTY
1	06030-2	FLANGED YOKE (TYPE T80)	1
2	06030-5	FRICTION HUB F44 (1 3/4"-6) (T80)	1
3	06030-1	SPRING 6MM DIA	8
4	06030-3	BUSHING	1
5	06030-4	LINING RING	4
6	06030-6	INNER PLATE	2
7	06030-7	INTERMEDIATE PLATE	1
8	06030-8	PRESSURE PLATE	1
9	06030-9	BOLT M12 X 1.75 X 65mm	2
10	06030-10	BOLT M10 X 1.5 X 100mm	8
11	06031-11	NYLON HEX NUT M10 X 1.5	8
12	06030-12	NYLON HEX. NUT M12 X 1.25	2



AUGER DRIVE SYSTEM SWD15M ASS.
R0415-06E02



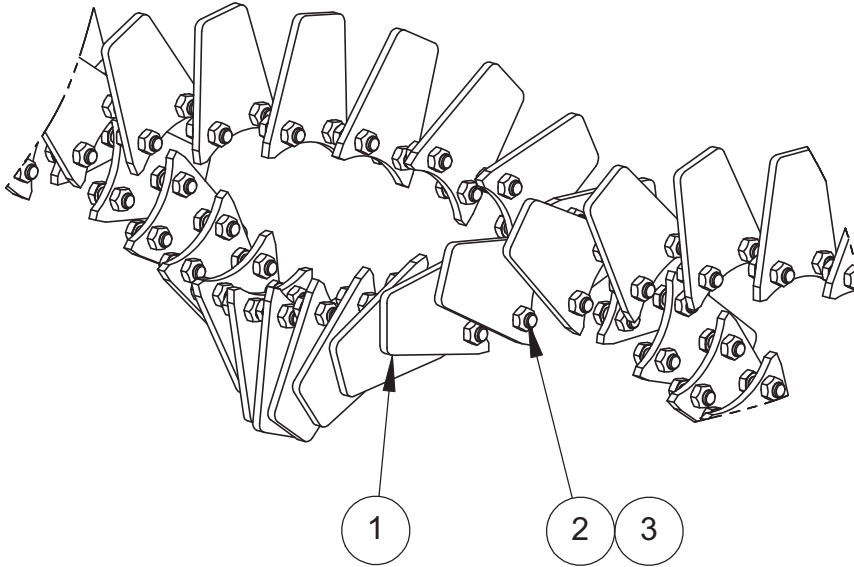


AUGER DRIVE SYSTEM SWD15M ASS. R0415-06E02

#	P. NUMBER	DESCRIPTION	QTY
1	R0415-14E01	SWD15 TEETH KIT	1
2	R-07004	DRIVE CHAIN	1
3	R-14007	SWD15 AUGER	1
4	R-14009	FLANGE BEARING BRACKET	1
5	R-28001	SPACER	1
6	R0415-06E05	ECCENTRIC ASS.	1
7	R-06014	FLANGE SUPPORT	1
8	UN-06001-17	KEY 1/2" X 1/2" X 2 1/2" 1RE	1
9	UN-06001-23	KEY 5/8" X 5/8" X 2 3/4 1RE"	1
10	UN-28006-6	SHIM 2 1/2" (3/16")	1
11	UN-28007-10	WASHER 5/8" ID X 3" OD X 3/8"	1
12	UN-28007-11	WASHER 1/2" ID X 2 3/8" OD X 3/8"	1
13	UN-28008-14	COMPRESSION WASHER 2 1/2"IDx 3 1/2"ODx 1/2" (5/8")	1
14	UN-35001	CLEAT	5
15	07036	SPROCKET D80B18	1
16	07036-2	SPROCKET D80B26	1
17	34006-6	FLANGE BEARING 2 1/2"	1
18	34006-8	FLANGE BEARING 2 1/2" (SKF)	1
19	34039	OIL SEAL	1
20	45AA010110204	HEX BOLT 5/8-11NC x 2 1/4" GR5	8
21	45AA010110108	HEX BOLT 5/8-11NC x 1 1/2" GR5	1
22	45AA010110200	HEX BOLT 5/8-11NC x 2" GR5	4
23	45AA010110208	HEX BOLT 5/8-11NC x 2 1/2" GR5	1
24	45AA008130200	HEX BOLT 1/2-13NC x 2" GR5	6
25	45AC010110200	HEX BOLT FULL TREAD 5/8-11 X 2" GR5	7
26	46AB010	HARDENED FLAT WASHER 5/8"	7
27	47AC01011	STOVER LOCK NUT 5/8-11NC	15
28	46AC010	LOCK WASHER 5/8"	5
29	46AC008	LOCK WASHER 1/2"	6



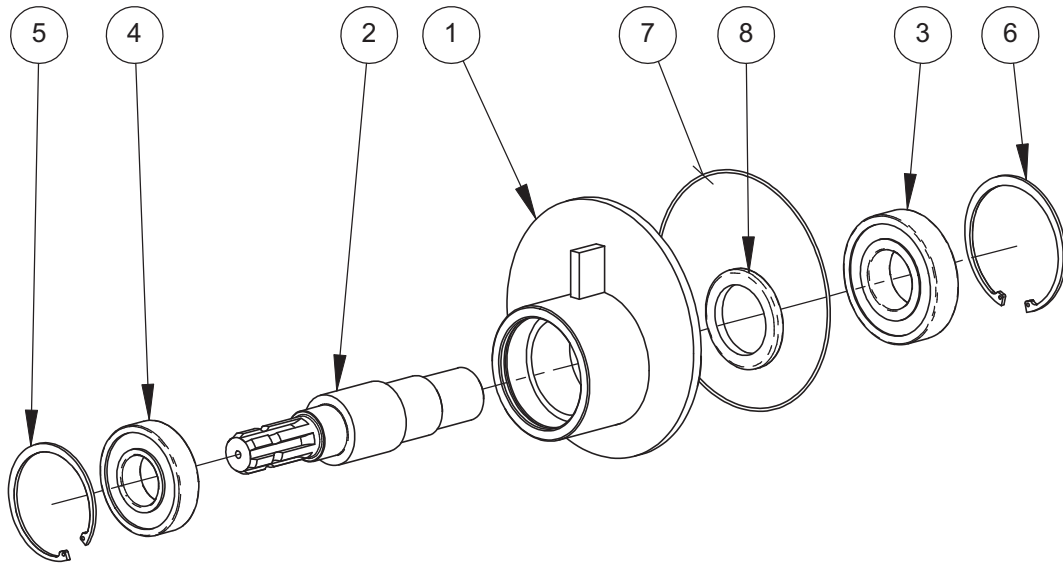
SWD15 TEETH KIT
R0415-14E01



#	P. NUMBER	DESCRIPTION	QTY
1	UN-14002	ROCK RAKE TOOTH	91
2	45AA012160200	HEX BOLT 3/4-16NF x 2" GR5	182
3	47AC01216	STOVER LOCK NUT 3/4-16NF	182



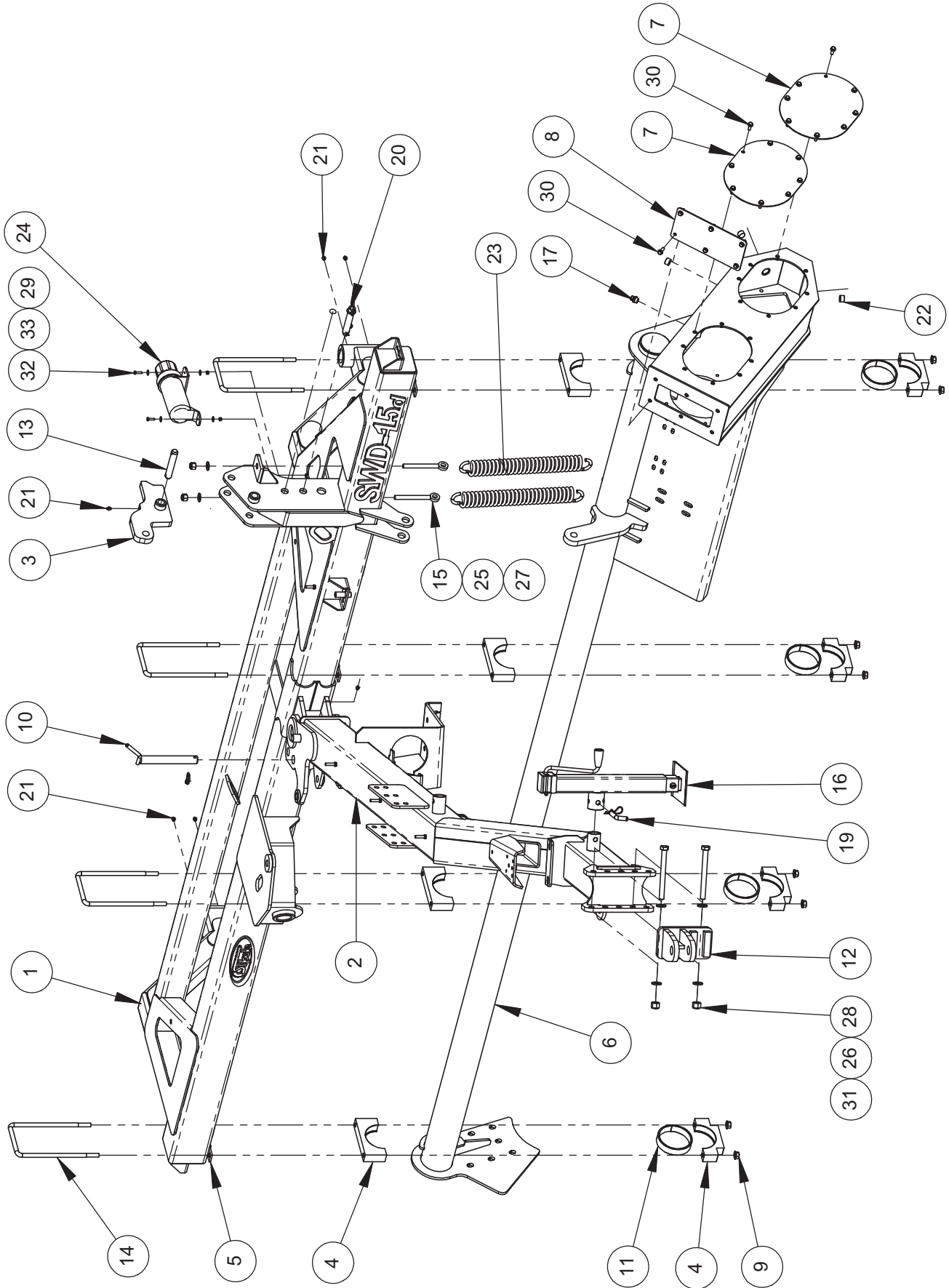
**ECCENTRIC ASS.
R0415-06E05**



#	P. NUMBER	DESCRIPTION	QTY
1	R-06012	ECCENTRIC	1
2	R-06013	SHAFT	1
3	34007-6	BEARING 65 mm	1
4	34007-5	BEARING 55mm	1
5	35002-6	INTERNAL RETAINING RING 120mm	1
6	35002-7	INTERNAL RETAINING RING 140mm	1
7	35018-3	O-RING SEAL	1
8	34010-8	OIL SEAL	1



SWD15D FRAME ASS.
R0415-05E02



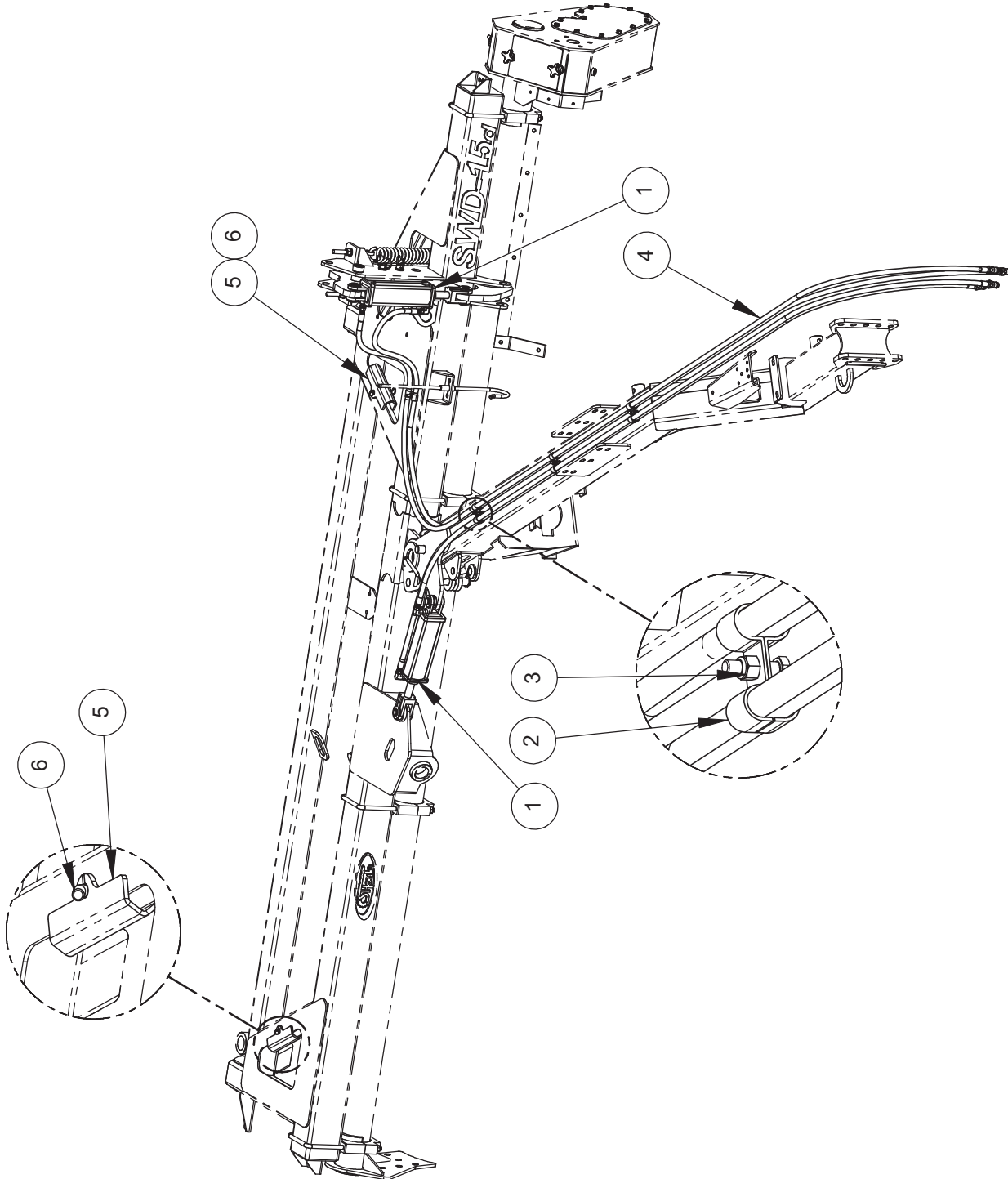


SWD15D FRAME ASS. R0415-05E02

#	P. NUMBER	DESCRIPTION	QTY
1	R-05012	SWD15D FRAME	1
2	R-05014	SWD15 HITCH POLE	1
3	R-05015	LEVER	1
4	R-05016	SPLIT BUSHING BEARING	4
5	R-05017	MOUNTING PLATE	4
6	R-05037	AUGER SUPPORT	1
7	R-05038	COVER	2
8	R-05039	COVER	1
9	47AE01011	FLANGE NUT 5/8-11NC	8
10	R-25003	SAFTY PIN	1
11	R-34001	BUSHING	4
12	UN-20029	HITCH CLEVIS	1
13	UN-25001-33	PIN 1" x 5 7/8" (2 HOLES)	1
14	UN-35013	U BOLT 5/8-13NC X 6" X 13"	4
15	UN-35012	EYE BOLT 5/8-11NC X 5 3/4"	2
16	UN-43003	JACK 7000 LBS	1
17	31054	5 PSI VENT 1/2" NPT(M)	1
18	35001-4	LYNCH PIN 5/16" X 1 3/4"	1
19	35011	BENT PULL PIN 5/8" X 3"	1
20	35006-3	PIN 1" X 4 3/4"	1
21	35012	STRAIGHT GREASE FITTING 1/8 NPT	6
22	35017-4	3/4-NPT PLUG, SQUARE RECESD	3
23	35030	EXTENSION SPRING	2
24	36001	MANUAL HOLDER 3 1/4"	1
25	46AB010	HARDENED FLAT WASHER 5/8"	2
26	46AB012	HARDENED FLAT WASHER 3/4"	4
27	47AB01011	NYLON NUT 5/8-11NC	2
28	47AB01210	NYLON NUT 3/4-10NC	2
29	47AB00420	NYLON NUT 1/4-20NC	2
30	45AE006160100	WHIZ-LOCK BOLT 3/8-16NC X 1"	22
31	45AA012100800	HEX BOLT 3/4-10NC x 8" GR5	2
32	45AA004200100	HEX BOLT 1/4-20NC x 1" GR5	2
33	46AA004	FLAT WASHER 1/4"	4



SWD15 HYDRAULIC KIT
R0415-31E01



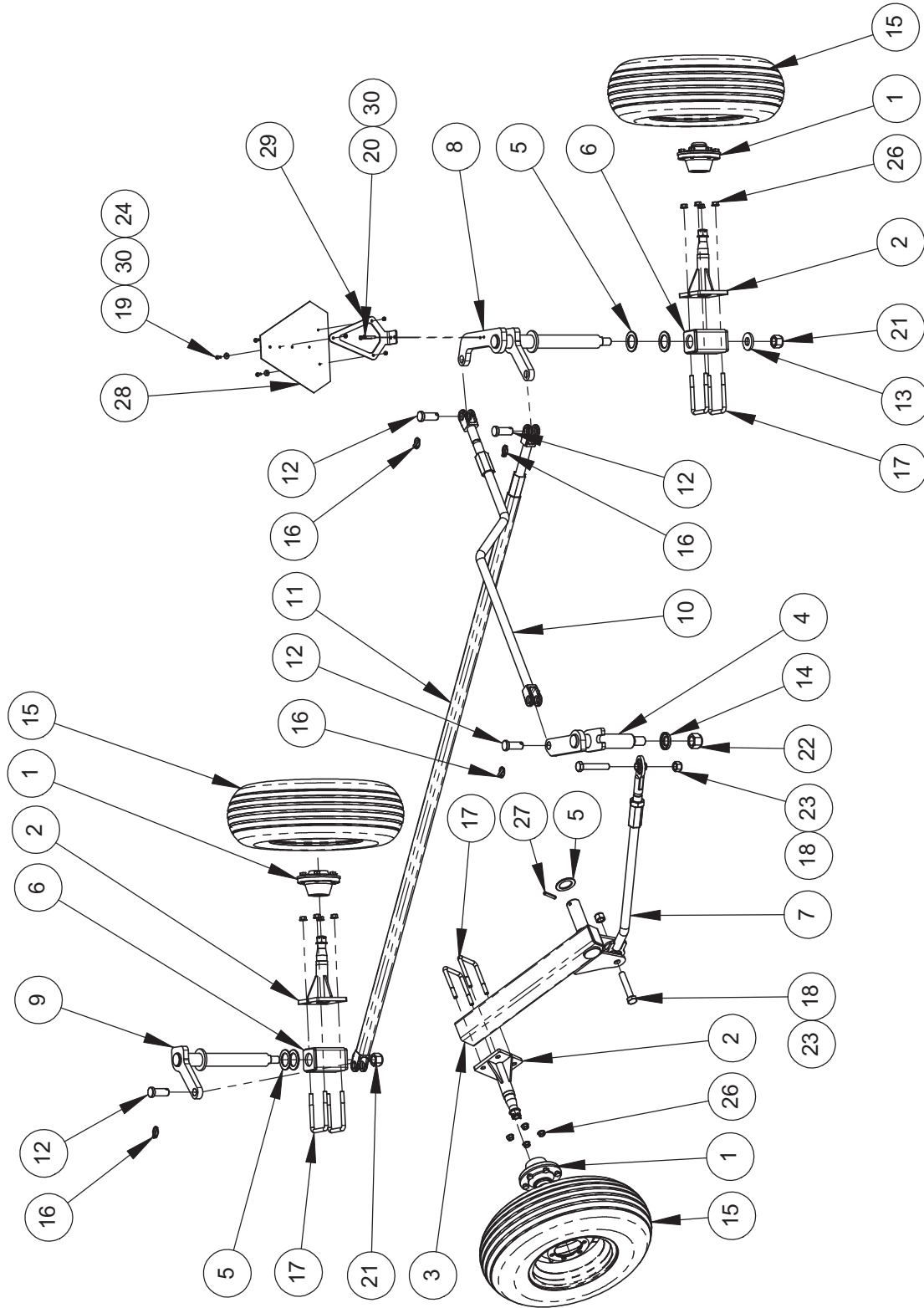


HYDRAULIC KIT SWD15 R0415-31E01

#	P. NUMBER	DESCRIPTION	QTY
1	30008	HYD. CYLINDER 3" X 8"	2
2	31015-2	3/4" DOUBLE HOSE CLAMP	7
3	47AB00616	NYLON NUT 3/8-16NC	4
4	R0415-29E01	SWD15 HYD. HOSES KIT	1
5	UN-43004 -06	CYL LOCKING DEVICE (8" X 1 1/2")	2
6	35011	BENT PULL PIN 5/8" X 3"	2



STEERING SYSTEM ASS. R0415-08E01



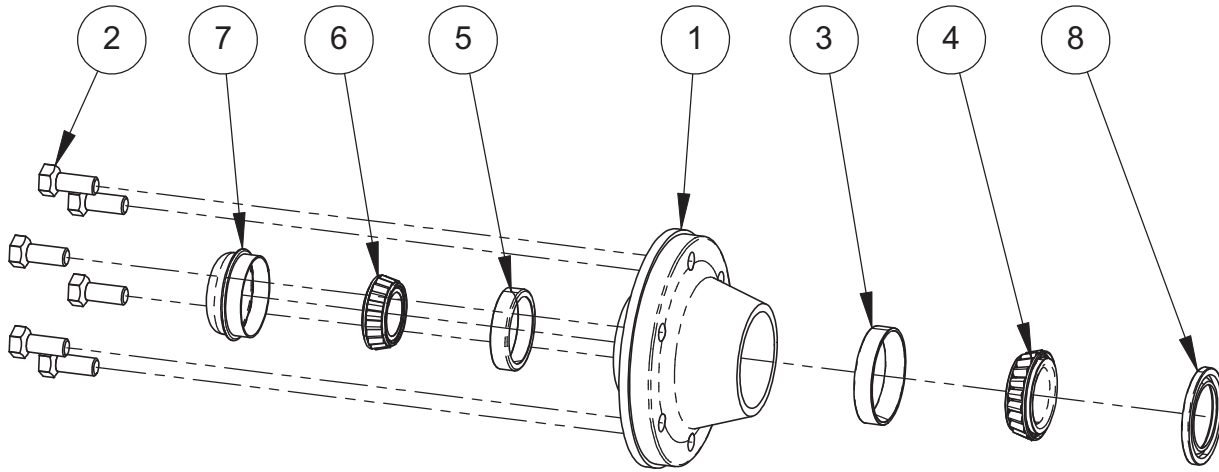


STEERING SYSTEM ASS. R0415-08E01

#	P. NUMBER	DESCRIPTION	QTY
1	01002	5000 LBS HUB	3
2	R-03003	SPINDLE BRACKET	3
3	R-08001	WHEEL BRACKET	1
4	R-08002	HITCH POLE PIN	1
5	UN-28011-2	SHIM 2 1/4" ID X 3 1/2" OD X 3/16"	5
6	R-08003	SPINDLE SUPPORT	2
7	R-08004	ROTATING AUXILIARY ARM	1
8	R-08005	TRANSFER ARM SUPPORT (LEFT SIDE)	1
9	R-08006	TRANSFER ARM SUPPORT (RIGHT SIDE)	1
10	R-08007	TRANSFER ARM	1
11	R-08008	TRANSFER ARM	1
12	UN-25011-2	PIN 1 1/4" X 2 3/4"	4
13	UN-28002-2	WASHER 1 3/8" ID X 3" OD X 3/8"	2
14	UN-28008-4	COMPRESSION WASHER 2 1/2" ID X 3" OD X 1/4" (1 9/16")	1
15	03002	TIRE AND WHEEL 11L-15	3
16	35001-5	LYNCH PIN 7/16" X 1 3/4"	4
17	35003-8	U BOLT 5/8-11NC X 4" X 6"	6
18	45AA100080508	HEX BOLT 1-8NC x 5 1/2" GR5	2
19	45AA005180100	HEX BOLT 5/16-18NC x 1" GR5	3
20	45AA006160200	HEX BOLT 3/8-16NC x 2" GR5	2
21	47AB10407	NYLON NUT 1 1/4-07NC	2
22	47AB10806	NYLON NUT 1 1/2-06NC	1
23	47AB10008	NYLON NUT 1-08NC	2
24	47AB00518	NYLON NUT 5/16-18NC	3
25	47AB00616	NYLON NUT 3/8-16NC	2
26	47AE01011	FLANGE NUT 5/8-11NC	12
27	49AA080300	SPRING PIN 1/2" x 3"	1
28	36002	SLOW MOVING VEHICLE SIGN (SMV)	1
29	UN-36001	SMV HOLDER	1
30	46AA005	FLAT WASHER 5/16"	3



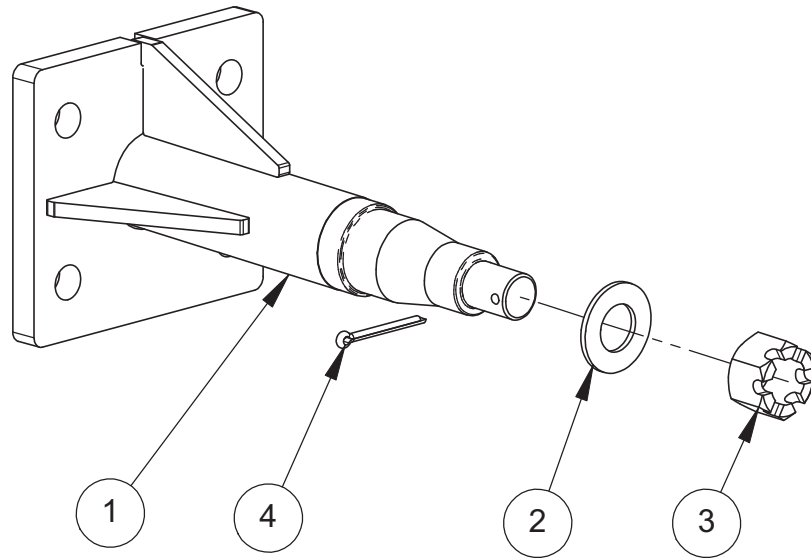
5000 LBS HUB 01002



#	P. NUMBER	DESCRIPTION	QTY
1	01004	5000 LBS HUB	1
2	01009	WHEEL BOLT 9/16-18 NF x 1 3/4"	6
3	34009-2	BEARING CUP 3.063" OD	1
4	34008-2	BEARING CONE 1.780 ID	1
5	34009-3	BEARING CUP 2.563" OD	1
6	34008-3	BEARING CONE 1.375 ID	1
7	01006	DUST CAP	1
8	34010-2	OIL SEAL	1



SPINDLE BRACKET R-03003



#	P. NUMBER	DESCRIPTION	QTY
1	01003	SPINDLE 5000 LBS	1
2	01005	5000 LBS SPINDLE WASHER	1
3	01008	CASTLE NUT 1"-14 NF	1
4	49AC030200	CUTTER PIN 3/16" X 2" LG.	1



Fabrication SHoule limited guarantee on agricultural and commercial equipment

Fabrication SHoule Inc guarantees every new farm and commercial product of the manufacturer SHoule against any defect of material and manufacturing, within the framework of a normal use, during one year after the date of retail purchase SHoule will guarantee its product for (1) year, on parts and imperfection of manufacturing This Limited

Guarantee will apply only to equipments made by S.Houle

EQUIPMENT AND ACCESSORIES WHICH ARE NOT MADE BY S HOULE ARE GUARANTEED ONLY IN THE MEASURE WHICH THE GUARANTEE OF THE ORIGINAL MANUFACTURER DETERMINES AND APPROVES THAT THERE IS A MANUFACTURING DEFECT

During the period limited by guarantee indicated above, any defect in the material (equipment) or in the manufacturing of any equipment fabricated by S.Houle will be repaired or replaced without responsibility by an authorized independent retailer. An authorized retailer has to make the repair under guarantee or the replacement of parts. The costs of labour must be approved by manufacturing SHoule before beginning (undertaking) the works otherwise these could be totally refused, according to the politics (policy) of working refund (repayment) of S.Houle SHoule reserves the right to supply parts, for replacement which he (it) considers appropriate

RESPONSIBILITY OF THE BUYER: This limited guarantee requires (demands) the appropriate maintenance and the overhauls of the agricultural or commercial equipment such as indicated in operator manual supplied with the new equipment. The cost of the regular maintenance or the required services is the responsibility of the buyer. The buyer has to keep his invoices which prove that the maintenance was made

The limited guarantee may be revoked (dismissed) by Fabrication S.Houle if the above mentioned conditions (requirements) are not respected.

EXCLUSIONS AND LIMITATIONS

Guarantees WILL NOT APPLY on:

- 1 Any defect which was caused (according to the judgment of SHoule by a use other than that normally planned, or by the following causes: (i) accident (ii) a misuse or a carelessness (negligence) (iii) excessive use (iiii) lack of reasonable and appropriate maintenance, (v) incorrect repair or bad installation (vi) or when warehoused (stored away) (vii) modification not authorized by SHoule (viii) natural disasters (ix) vandalism (x) parts, or accessories installed on the equipment which were not made or not installed by the authorized retailer (xi) elements (xii) collision or accidents
- 2 Any agricultural or commercial equipment which the identification number or serial number or the trade names were changed or removed
- 3 Any agricultural or commercial equipment on services of which the required or recommended overhaul were executed by using parts not made, approved or supplied by SHoule or not meeting the specifications, but without limitation, lubricants (oil, grease) and liquids for hydraulics
- 4 The equipment used for rental, industrial work, construction or if the equipment is used for a purpose other than the application in which it was designated (design) for by SHoule
- 5 Any equipment used for field demonstrations by a retailer not approved by S.Houle. The guarantee will be to the discretion of S.Houle or any other demonstration
- 6 Any defect which was caused (according to the judgment of S.Houle) by the operation of the equipment without submitting itself to the standard (in the standard) procedures of exploitation (operation) described in operator manual
- 7 The guarantee on tires is the responsibility of the manufacturer of the respective product
- 8 Cost of the transport, if necessary, to transport to the retailer S.Houle
- 9 In no case the responsibility of S.Houle can exceed the cost of the product
- 10 SHoule will be subjected in no circumstances to compensate, whoever it is, for the loss of income for a discontinued equipment, for a time of the repairs no matter the reason for this breakdown.
- 11 The costs of estimation or the diagnostic and the overtime of work for the repair are not covered under this limited guarantee policy.
- 12 The depreciation caused by the normal wear, the lack of reasonable and appropriate maintenance, the misuse, and/or the lack of protection during warehousing
- 13 Accessories and electronic components which are not of or from S.Houle are guaranteed only under the limited guarantee by this manufacturer.
- 14 Articles of wear which are registered by the group of products below:

Normal wear parts: flow divider, wear plates, the bolts, the nuts, spring blades, the swivel skid shoe, the special bolts of swivelling skid shoe, slide channels, chains and chain attachments, cast iron shoe, hydraulic hoses, swivel, clutch and their components, the gear box, the shaft, ...

EXCLUSION FROM GUARANTEES: SHOULE RESERVES THE RIGHT TO MODIFY, TO CHANGE AND TO IMPROVE THEIR PRODUCTS WITHOUT INCURRING ANY OBLIGATION TO REPLACE PRODUCTS PREVIOUSLY SOLD WITH SUCH A MODIFICATION. NO PERSON IS AUTHORIZED TO GIVE ANOTHER GUARANTEE, OR TO ASSUME ANY ADDITIONAL OBLIGATION ON EQUIPMENTS MADE BY S.HOULE



Fabrication S.Houle inc.

300 Industrial blvd. P.O. box 750
St-Germain-de-Grantham, Quebec, Canada, J0C 1K0
Phone : 819 395-4380 Fax. : 819 395-5516
Toll free : 1 888-404-4380
E-Mail : info@shoule.com Web : www.shoule.com

Product Registration

Dealer instructions:

Make sure registration is complete and signed.

Product Information :

MACHINE MODEL : _____ DELIVERY DATE : _____ / _____ / _____
mm dd yyyy

SERIAL NUMBER : _____

OPTIONAL EQUIPMENT : _____

Customer Information :

FIRST & LAST NAME : _____ PHONE : _____

MAILING ADDRESS : _____ EMAIL : _____
Civic number and street

City

State / Province Zip Code

Dealer Information :

DEALER NAME : _____ PHONE : _____

MAILING ADDRESS : _____ EMAIL : _____
Civic number and street

City

State / Province Zip Code

Signatures :

Owner or designated representative signature

Authorized dealer signature

Note : Both dealer and owner must sign in order to validate the warranty.

I hereby acknowledge that:

1. I have received and accepted delivery of equipment described.
2. The equipment was checked thoroughly for loose or missing parts and has been adjusted in accordance with the pre-delivery checklist.
3. I have been provided with and have carefully read the instruction manual.
4. I have read and understand the nature and extent of the warranty and understand clearly that there were and are no other representations or warranties, either express or implied, made by anyone.
5. A copy of the present document must be completed and transmitted to Fa-

6. Fabrication S.Houle as soon as possible, in order to process your warranty.
6. I have been advised on proper operation, maintenance and lubrication procedures of this equipment.
7. I have been instructed on and do understand the application, limitations and capacities this equipment was designed and recommended for, all as described in the Instruction Manual and other literature published by Fabrication S.Houle inc.

ONE YEAR WARRANTY COVER PARTS ONLY, EFFECTIVE WHEN THIS FORM HAS ALL APPLICABLE INFORMATION COMPLETED, IS SIGNED BY BOTH THE OWNER AND THE DEALER AT THE TIME OF DELIVERY, THEN FORWARDED TO **FABRICATION S.HOULE INC.** WARRANTY SERVICE MAY BE DENIED IF THIS FORM CONTAINS FALSE INFORMATION OR IS INCOMPLETE.



Fabrication S.Houle inc.

300 boul. Industriel, boîte postale 750
St-Germain-de-Grantham, Québec, Canada, J0C 1K0
Tél : 819 395-4380 Téléc. : 819 395-5516
Sans frais : 1 888-404-4380
Courriel : info@shoule.com Site : www.shoule.com

Fabrication S.Houle inc.

300 Industrial blvd, C P 750
St-Germain-de-Grantham, Québec, Canada, J0C 1K0T
Phone : 819 395-4380 Fax. : 819 395-5516
Toll free : 1 888-404-4380
E-mail : info@shoule.com Web : www.shoule.com