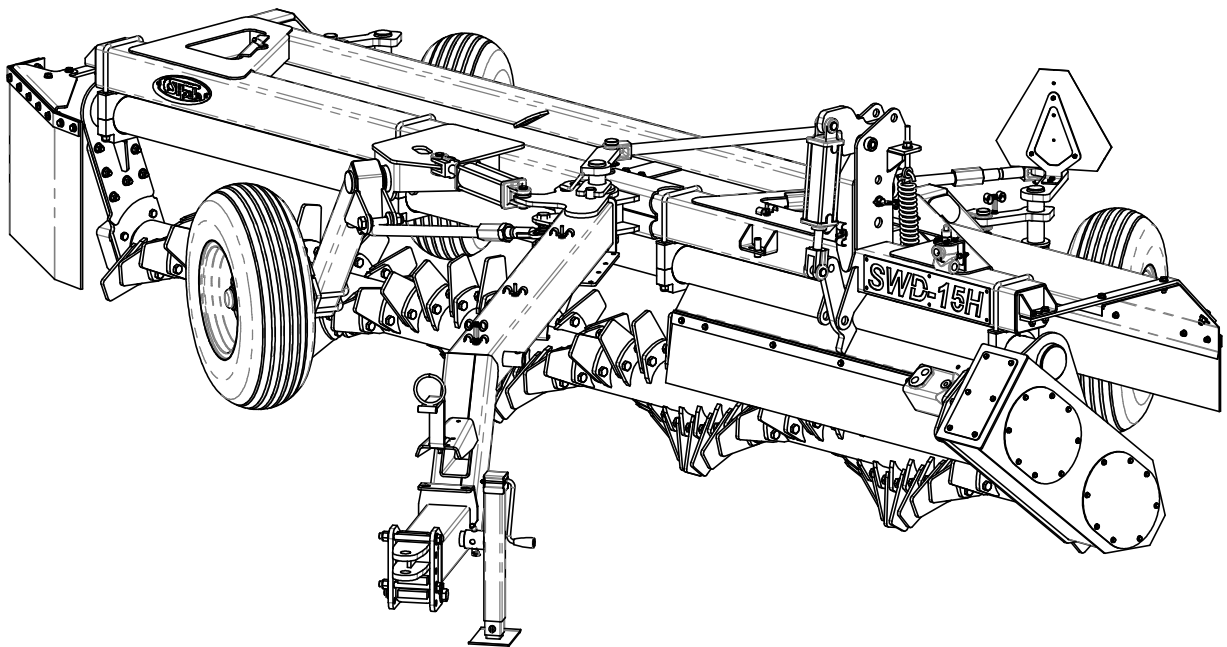




OWNER'S MANUAL



CAT # R0415-60003

SWD-15H ROCK RAKE
R0415-00003



Introduction	3
Safety	4
Operation	9
Dimensions	14
Adjustments and Maintenance	15
Parts	17
Rock rake SWD-15H	17
SWD-15H frame kit	21
Eccentric assembly	24
SWD15 teeth kit	26
SWD15 hyd hoses kit	27
SDW-15H /SRR-15H hyd hoses kit	28
Warranty	29
Product registration	30



Congratulations on your purchase of your new **Fabrication S. Houle inc.** equipment!

This **Owner's Manual** is your principal reference in regards to your new equipment. To ensure your equipment delivers many years of quality use, it is important that you follow the use and maintenance guidelines set out in this manual. We urge you and those who will be using and/or performing maintenance on this equipment to ensure that **you have read and understood the contents of this manual prior to first use.**

Please keep this **Owner's Manual** within reach so that you may quickly consult it, as often as necessary. In case of ownership transfer, please ensure that you also remit this manual to the new owner or user.

If you have any questions, or to obtain more information or additional copies of this manual, please contact us at:

Fabrication S. Houle Inc.

300 Industrial Boulevard
St-Germain-de-Grantham, Qc. Canada J0C 1K0
Tel.: (819) 395-4380 Fax: (819) 395-5516
Toll Free: 1-888-404-4380
Email: info@shoule.com
Web: www.shoule.com

Locate this symbol – it could save your life

This symbol is the standard safety symbol. You will find it on most of the decals on your equipment. It is also used throughout this manual.

This symbol is used mainly to draw your attention and to warn you of possible dangers and/or potential injuries.



It is vital that you read and understand completely the following instructions and safety rules prior to using your equipment.



The safety symbol accompanied by the word “DANGER” indicates an immediate danger capable of causing serious injury or death.



The safety symbol accompanied by the word “WARNING” indicates a potential danger capable of causing serious injury or death.



The safety symbol accompanied by the word “CAUTION” indicates a potential danger capable of causing injury.

Being well informed is your best protection against accidents. It is therefore important that you give particular attention to the safety guidelines presented in this manual.

Think SAFETY! Work SAFELY!



As the owner of this equipment, you are responsible for the safety of its users and those who are responsible for its maintenance. You and any other person using or performing maintenance on this equipment must be familiar with its operation and maintenance, as well as the safety measures contained in this manual. Having safe working practices guarantees a safer work environment.

The owner of this equipment must inform any user of any and all instructions related to proper operation and use of this equipment, prior to first use.

The user must read, understand and respect all operating and safety instructions contained in this manual. A user who is unaware or ignores the operating and safety instructions contained herein is not qualified to operate this equipment, and exposes him/herself and bystanders to possible serious injury and or death.

Do not in any way modify this equipment. Unauthorized modifications could impair the proper functioning and/or safety of this equipment and possibly affect its useful life as well.

General Safety Measures

1. Read and understand all operating and safety instructions and guidelines contained in this manual prior to using, maintaining or adjusting the equipment.
2. Ensure all safety guards and shields are properly installed prior to using the equipment.
3. Always have a first aid kit within reach, and know how to use it.
4. Always have a fire extinguisher within reach, and know how to use it.
5. Wear appropriate safety gear, such as: hard hat, safety boots, safety goggles, gloves, ear plugs, etc.
6. Clear the area of people, especially children, prior to engaging the equipment.

Operating Safety

In addition to reading and fully understanding this manual,



you should:

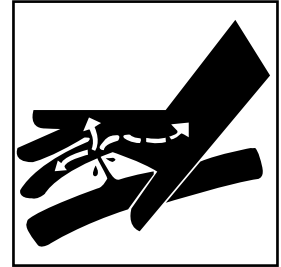
1. Lower the rock rake, stop the tractor's engine, set controls to neutral, engage the emergency brake, remove the tractor's ignition key and wait for all moving parts to come to a full stop prior to adjusting, detaching or servicing the rock rake.
2. Keep hands, feet, hair and all clothing away from all moving parts and/or rotating parts.
3. Do not allow passengers on the rake or tractor.
4. Do not remove protective guards or shields. Ensure they are in place and properly attached.
5. Clear the area of all people, especially small children, prior to engaging the rake and/or the tractor.
6. Do not operate the rake on steep hills or slopes.
7. Be extremely cautious while servicing or while near high pressure hydraulic systems. Ensure all components are fully sealed and in good working order prior to operating the equipment.
8. Ensure all reflectors, lights and the safety triangle are clean prior to transportation on public roads. Check with local authorities to ensure you are compliant with all lighting requirements.
9. Stay well away from the rock rake while it is in operation to avoid being hit by flying rocks and/or debris that may be ejected into the air.

Maintenance Safety

In addition to reading and fully understanding this manual, you should:

1. Lower the rock rake, stop the tractor's engine, set controls to neutral, engage the emergency brake, remove the tractor's ignition key and wait for all moving parts to come to a full stop prior to adjusting, detaching or servicing the rock rake.
2. Keep hands, feet, hair and all clothing away from all moving parts and/or rotating parts.

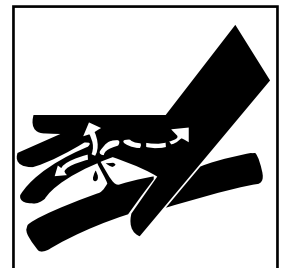
3. Clear the area of all people, especially small children, prior to engaging the rake and/or the tractor.
4. Place safety stands or blocks underneath the frame prior to removing the tires or working underneath the rock rake.
5. Be extremely cautious while servicing or while near high pressure hydraulic systems. Ensure all components are fully sealed and in good working order prior to operating the equipment. Wear appropriate safety gear to protect your eyes and hands. Use a piece of wood or cardboard as a shield when examining a hose or fitting for a leak.
6. Always relieve pressure prior to disconnecting or servicing hydraulics.
7. Always use original parts when any need replacing.
8. Do not in any way modify this equipment, its components or its intended use. Fabrication S.Houle inc. will not be held responsible should breakage or injury occur as a result of using any non-approved parts or accessories.
9. Do not operate equipment that is defective or that has parts missing.
10. Inspect nuts and bolts regularly and ensure they are tightly secured.



Hydraulic System Safety

In addition to reading and fully understanding this manual, you should:

1. Always set the hydraulic controls to neutral prior to disassembling the hydraulic system.
2. Be extremely cautious while servicing or while near high pressure hydraulic systems. Ensure all components are fully sealed and in good working order prior to operating the equipment. Wear appropriate safety gear to protect your eyes and hands. Use a piece of wood or cardboard as a shield when examining a hose or fitting for a leak.





Transportation Safety

In addition to reading and fully understanding this manual, you should:

1. Check with local authorities to ensure you are compliant with all machinery transportation safety requirements.

Storage Safety

1. Store the rock rake in an area well away from human activity.
2. Store the rock rake in the lowered position.
3. Do not allow children to play near the stored rock rake.

Tire Safety

1. Failure to follow appropriate directions while installing a tire on a wheel or rim may result in a blow-out, which could cause serious injury or death.
2. Never attempt to install a tire unless you have the materials and equipment required and have appropriate experience to do so.
3. See a well known tire repair facility or dealer for any repair or maintenance work required.



To the New Operator or Owner

The Fabrication S.Houle Rock Rakes are designed to efficiently windrow rocks from 2 to 12 inches (50 to 300 mm) diameter. Many of the features incorporated into this machine are the result of suggestions made by customers like you.

It is the owner or operator's responsibility to read this manual carefully to learn how to operate the machine safely and how to set it to provide maximum efficiency. Safety is everyone's business. By following safe operating practices, a safe environment is provided for the operator and bystanders.

By following the operating instructions in conjunction with a good maintenance program, your Rock Rake will provide many years of trouble-free service.

Principles of Operation

The machine has a rotating drum that has a spiraling set of teeth bolted to it. As the drum rotates and the machine moves along the field, the teeth move the rocks along the front of the drum to form a windrow of rocks on the right side.

Operation

Familiarize yourself with the various settings of the Rock Rake that are designed to allow the machine to work in a variety of field conditions. Field experience will indicate the combination of machine and operating condition to give a quality job. This section will cover the interaction of the field conditions and machine settings.

1. Operator's Responsibility

Every operator should read this manual and be instructed in safe operating procedure. An untrained operator is not qualified to operate this machine and could place themselves or bystanders in danger.

2. Field Conditions

2a. Rock Density

Rate the rock density as light, medium or heavy. Normally the machine ground speed will decrease as the rock density



increases to insure that the teeth on the spiral drum have the opportunity to make contact with each rock.

2b. Soil Condition

Dry, firm ground is ideally suited for raking.

Soft ground will require adjustments to the angling of the spiral drum to insure that the soil can fall between the teeth on the right end and not be moved into the windrow.

Wet soil will ball up with the rocks and can plug the teeth. Give the soil more time to dry before raking.

It is recommended that the teeth on the left end of the drum penetrate the ground about 1 to 2 inches (25 to 50mm).

3. Drum Rotation

The drum rotates at rated RPM when the tractor PTO speed is 540 RPM, which correspond to about 1750 RPM of tractor engine. Changing the engine speed changes the drum RPM. It is recommended that the PTO/Drum speed always be run at rated RPM and the ground speed be varied by changing gears in the tractor.

4. Forward Speed

The recommended ground speed varies from 2 to 6 mph (3 - 9 km/h) and is determined by rock density and size. When you see that rocks are being missed behind the machine, slow down. Increase the ground speed when the rock density decreases.

5. Spiral Drum Angle

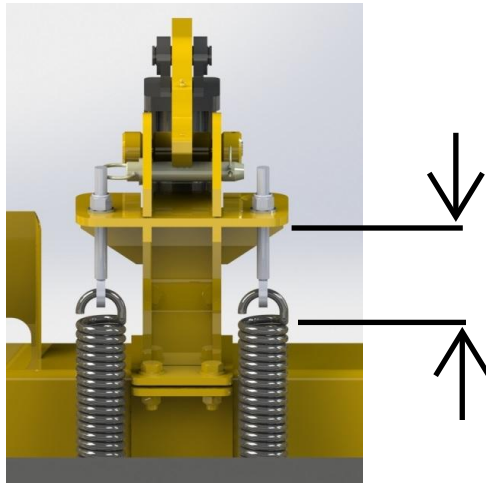
The angle that the spiral drum makes when it contacts the ground is defined as the spiral drum angle. It can be varied by moving the wheel mount clamps on the end of each wheel leg.

It is recommended that the right end of the drum be set 1 to 1-1/2 inches (25-40mm) higher than the left end. This will allow the soil picked up with the rocks to fall through the teeth at the right end and not become part of the rock windrow. Picking will be much easier when the windrow does not include soil.

6. Suspension system

The auger is supported on springs to carry part of the weight. The springs provide suspension systems that allow the drum to float over obstacles encountered in the field and reduce the shock loads.

To adjust the spring load Turn the nut on each eyebolt until there is approximately 4 inches (101.6 mm) between the spring and the plate.



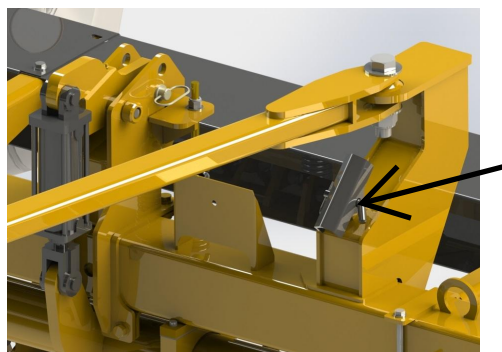
7. Tractor Specifications

Use only a tractor of sufficient power and weight to adequately handle the machine. It is recommended that the tractor have at least 40 Hp for efficient operating conditions.

Always attach a safety chain between the tractor and the machine to prevent unexpected separation.

8. Narrow Transportation to Field Transportation

Remove the hydraulic cylinder stopper and place in storage hole.



Remove the float arm pin and place it in the storage hole in working mode



9. Field Position to Narrow Transportation

Invert the steps from section 8 to place the machine in narrow transportation position

10. Transporting



Be sure the SMV sign is facing to the rear.

Clean the SMV sign, lights, and reflectors. If the SMV sign of the tractor is partially hidden by the rock rake, a second SMV sign must be present on the rock rake.

Always use the hazard flashers on the tractor when transporting.

Slow down and pull off to the side of the road when meeting other traffic.

Do not exceed 20 mph (32 km/h) when transporting. Never exceed a safe travel speed. Slow down when cornering or on rough roads.

Do not allow riders on the machine or tractor when transporting.

11. Storage

After the season's use, completely inspect all major systems of the machine. Repair or replace any worn or damaged components to prevent unnecessary down time at the beginning of next season. The machine should be carefully prepared for storage to insure that all dirt, mud, debris and moisture has been removed.

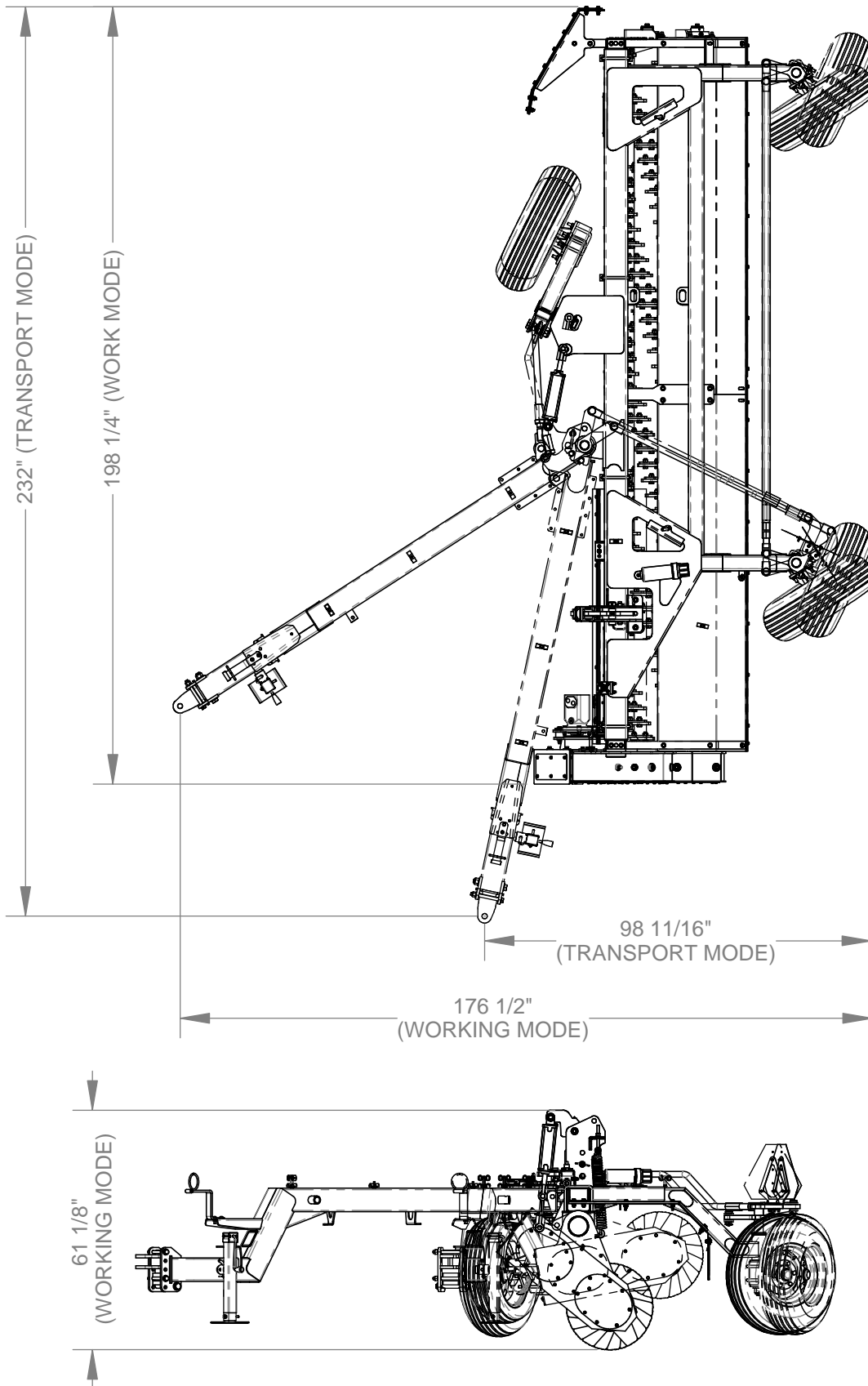
Follow this procedure when preparing for storage:

1. Wash the entire machine thoroughly using a water hose or pressure washer to remove all dirt, mud debris or residue.
2. Inspect all moving or rotating parts to see if anything has become entangled in them. Remove the entangled material.
3. Lubricate all grease fittings to remove any moisture in the bearings.
4. Run the machine slowly for 1 minute to distribute lubricant to all surfaces.
5. Inspect all hydraulic hoses, fittings, lines and couplers. Tighten any loose fittings. Replace any hose that is badly cut, nicked or abraded or is separating from the crimped end of the fitting.
6. Touch up all paint nicks and scratches to prevent rusting.
7. Oil the exposed rams on the hydraulic cylinders to rusting.
8. Select an area that is dry, level and free of debris.



SWD-15H ROCK RAKE
R0415-00003

Dimension





Prior to First Use

1. Read this owner's manual carefully.
2. Lubricate all grease points.
3. Check all nuts, bolts and hardware.
4. Check chain case oil level

After Two (2) and Eight (8) Hours of Use

1. Make a visual inspection of unit
2. Tighten wheel bolts.
3. Check all hardware.
4. Check all hydraulic system fittings.

Every Twenty-five (25) Hours of Use

1. Lubricate all grease points.
2. Lubricate chain bearings.
3. Lubricate spiral drum bearings.
4. Lubricate wheel pivots.
5. Check and adjust chain case oil level. Fill with new oil at the beginning of a new season.

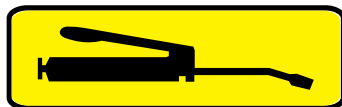
Inverting the Rock Rake's Teeth

The spiral drum's teeth have been designed to be easily inverted when one side becomes too worn. To invert, remove the bolts. Turn the tooth over and simply bolt it back into place securely, with stover nuts ($\frac{3}{4}$ "-16NF x 2" bolts with $\frac{3}{4}$ "-16NF stover nuts). While facing the rock rake, place the tooth on the left side of its support. Fasten the bolts to 215 lbs-ft (291 Nm).



Greasing

A greasing decal is located near each grease point.





During lubrication:

1. Use only a manual hand held grease gun.
2. Clean the couplers and fittings with a clean cloth prior to lubricating.
3. Replace fittings immediately if they damaged or broken.
4. If fittings are difficult to lubricate, remove and clean them thoroughly, and replace them if necessary. Also clean the lubricant passageway.
5. Inject lubricant until the excess is expelled through the bearing or bushing areas.

Types of Lubricants

1. Grease

Use an SAE multi-purpose high temperature grease with extreme pressure (EP) performance. A lithium-based SAE multi-purpose grease is also acceptable.

2. Chain case reservoir oil

Use an SAE compatible 80W90 gear oil for all operating conditions.

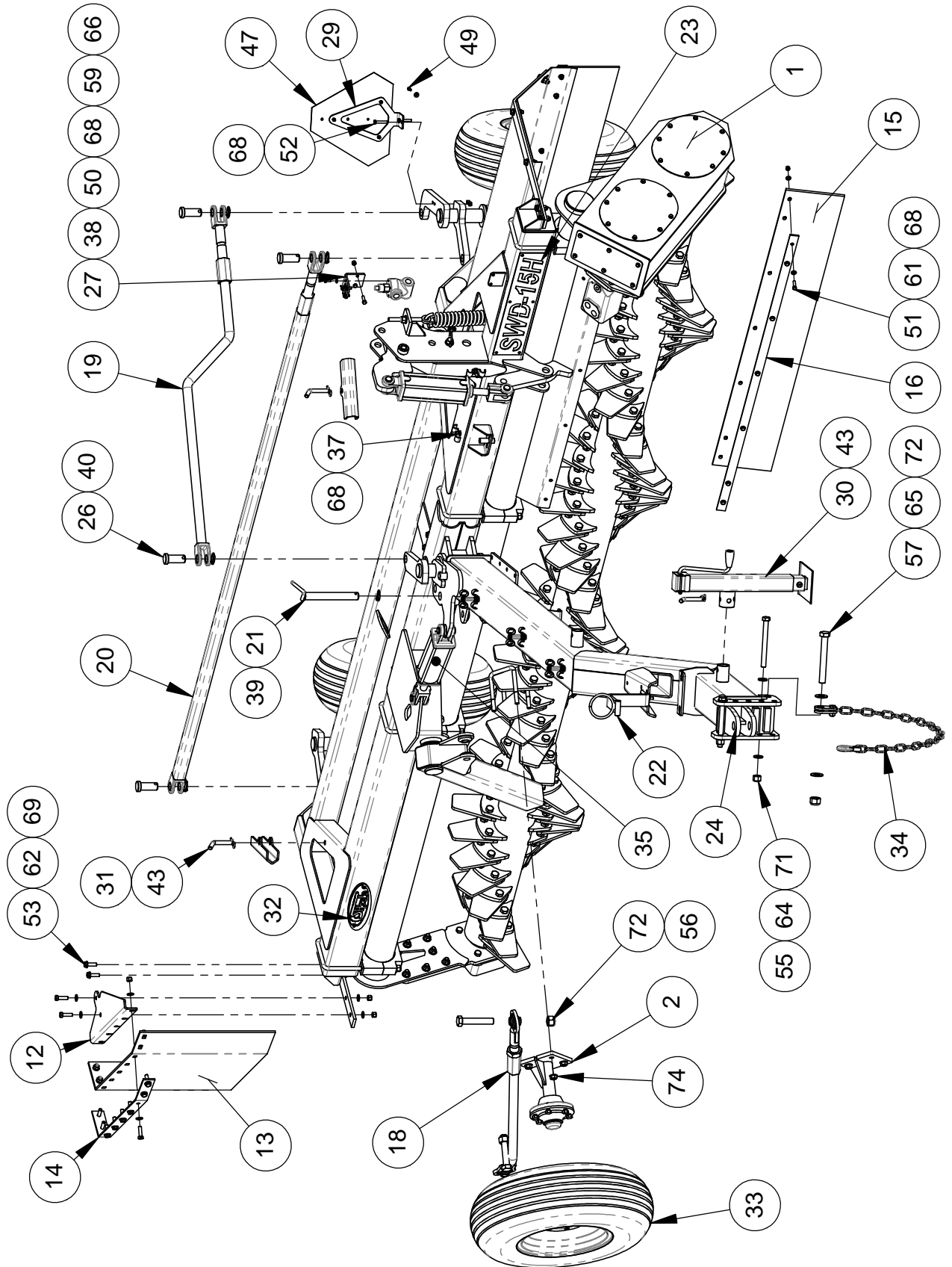
3. Lubricants Storage

Always use clean and contaminant-free lubricants. Store them in clean, uncontaminated containers that have not been used to store other substances. Ensure the storage area is free of dust, humidity and other contaminants.



SWD-15H ROCK RAKE R0415-00003

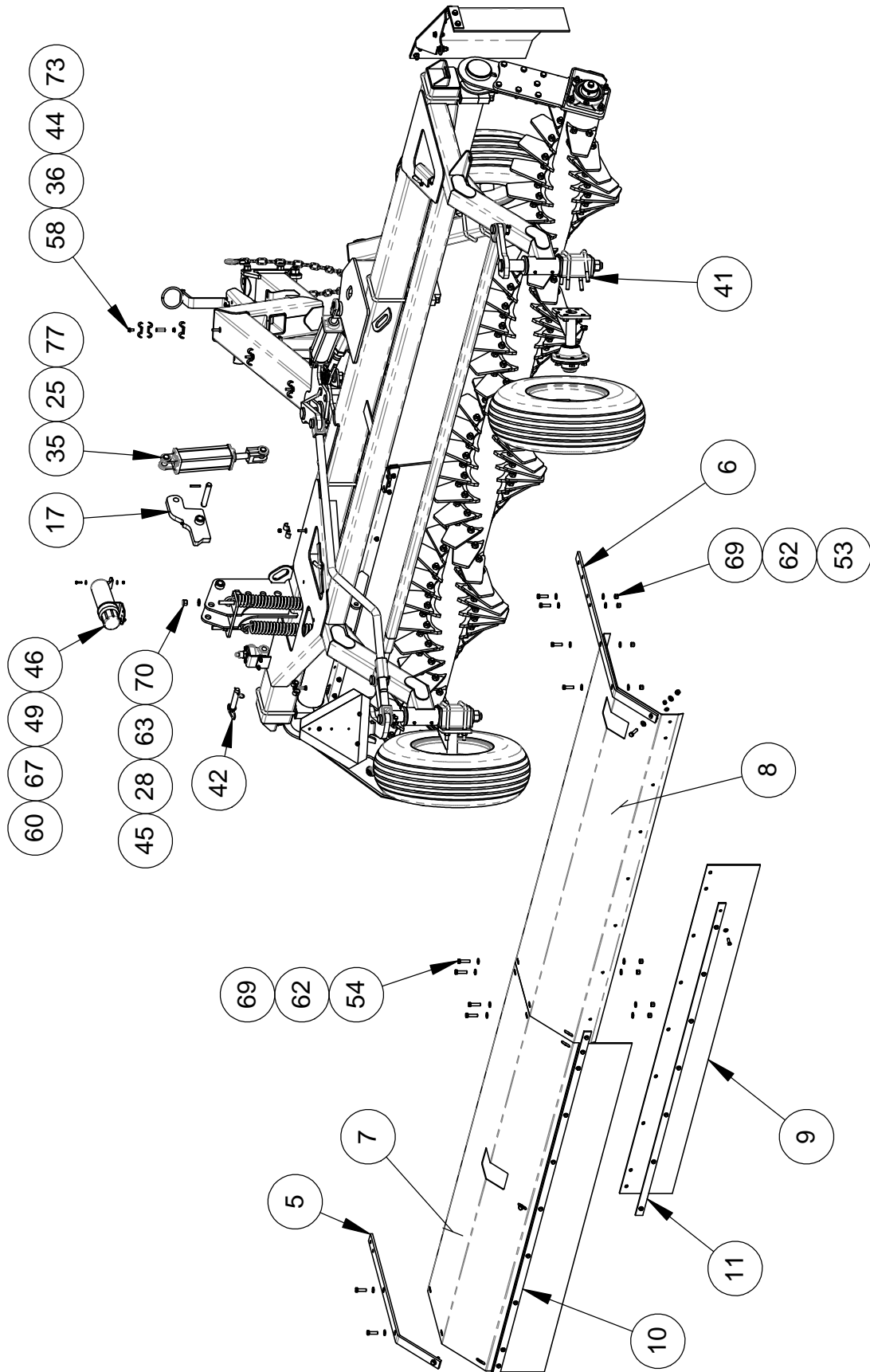
Parts





SWD-15H ROCK RAKE
R0415-00003

Parts





SWD-15H ROCK RAKE R0415-00003

Parts

ITEM	NO	DESCRIPTION	QTY
1	R0415-05E03	SWD-15H FRAME ASS.	1
2	R0415-01E01	SWD-15 AXEL ASS'Y	3
3	R0415-29E01	SWD15 HYD. HOSES KIT	1
4	R0415-29E03	SWD-15H / SRR-15H HYD. HOSES KIT	1
5	R-04007	GUARD SUPPORT	1
6	R-04008	GUARD SUPPORT	1
7	R-04009	GUARD	1
8	R-04010	GUARD	1
9	R-04011	RUBBER GUARD	2
10	R-04012-P1	GUARD SUPPORT (YELLOW)	1
11	R-04013-P1	GUARD SUPPORT (YELLOW)	1
12	R-04014	GUARD SUPPORT	1
13	R-04015	RUBBER GUARD	1
14	R-04016	GUARD SUPPORT	1
15	R-04057	RUBBER GUARD	1
16	R-04058-P1	GUARD SUPPORT (YELLOW)	1
17	R-05015	LEVER	1
18	R-08004	ROTATING AUXILIARY ARM	1
19	R-08007	TRANSFER ARM	1
20	R-08008	TRANSFER ARM	1
21	R-25003	SAFTY PIN	1
22	R-43013-01	HOSE HOLDER	1
23	R-59008	LOGO SWD-15H	1
24	UN-20029	HITCH CLEVIS	1
25	UN-25001-33	PIN 1" x 5 7/8" (2 HOLES) (PLATED)	1
26	UN-25011-2	PIN 1 1/4" X 2 3/4"	4
27	UN-31039	RELIEF VALVE BRACKET (31077)	1
28	UN-35012	EYE BOLT 5/8-11NC X 5 3/4"	2
29	UN-36001	SMV HOLDER	1
30	UN-43003	JACK 7000 LBS	1
31	UN-43004-04	CYL LOCKING DEVICE (10" X 1 1/2")	2
32	UN-59001-9-P5	LOGO S.HOULE 4"	1
33	03002	TIRE AND WHEEL 11L-15	3
34	07037-5	CHAIN SAFETY 1/4" x 46" Lg - 11,000 lb	1
35	30008	HYD. CYLINDER AG. 3" X 8"	2
36	31015	5/8" DOUBLE HOSE CLAMP	6
37	31015-2	DOUBLE HOSE CLAMP 3/4"	5
38	31077-P5	RELIEF VALVE (GREY)	1
39	35001-4	LYNCH PIN 5/16" X 1 3/4"	1
40	35001-5	LYNCH PIN 7/16" X 1 3/4"	4
41	35003-8	U BOLT 5/8-11NC X 4" X 6"	6
42	35006-3	PIN 1" X 4 3/4"	1
43	35011	BENT PULL PIN 5/8" X 3"	3



**SWD-15H ROCK RAKE
R0415-00003**

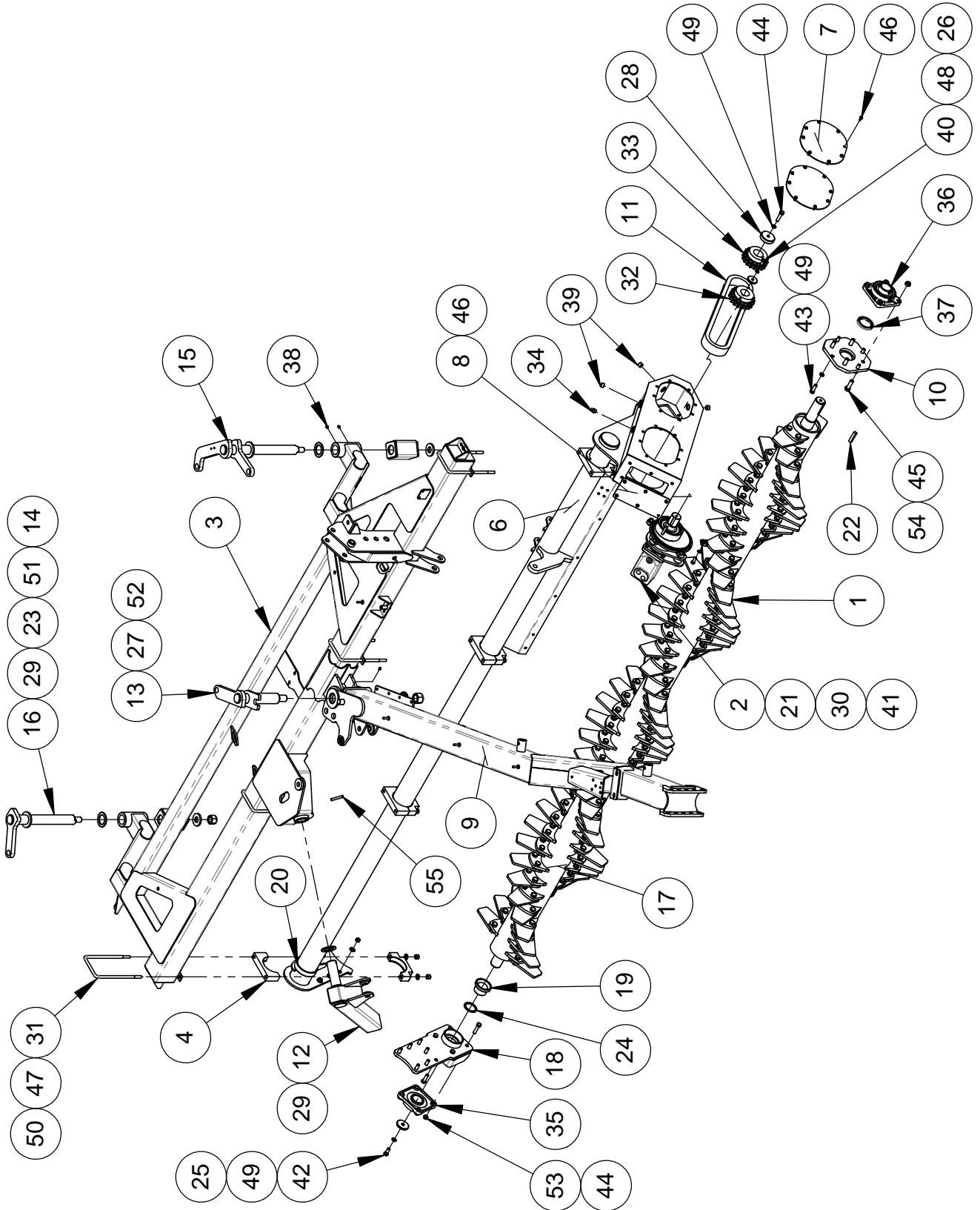
Parts

ITEM	NO	DESCRIPTION	QTY
44	35023-2	HEX. NUT 3/8"-16 NC. X 1 3/4" LG	3
45	35030-P5	EXTENSION SPRING (CHARCOAL)	2
46	36001	MANUAL HOLDER 3 1/4"	1
47	36002	SLOW MOVING VEHICLE SIGN (SMV)	1
49	45AA004200100	HEX BOLT 1/4-20NC x 1" GR5	5
50	45AA006160104	HEX BOLT 3/8-16NC x 1 1/4" GR5	20
51	45AA006160108	HEX BOLT 3/8-16NC x 1 1/2" GR5	10
52	45AA006160200	HEX BOLT 3/8-16NC x 2" GR5	2
53	45AA008130112	HEX BOLT 1/2-13NC X 1 3/4" GR5	21
54	45AA008130200	HEX BOLT 1/2-13NC X 2" GR5	5
55	45AA012100800	HEX BOLT 3/4-10NC x 8" GR5	2
56	45AA100080508	HEX BOLT 1-8NC X 5 1/2" GR5	2
57	45AA100080800	HEX BOLT 1-8NC x 8" GR5	1
58	45AE006160012	WHIZ-LOCK BOLT 3/8-16NC X 3/4"	3
59	45MA08125020	METRIC BOLT M8 X 1.25 X 20 GR 8.8	4
60	46AA004	FLAT WASHER 1/4"	7
61	46AB006	HARDENED FLAT WASHER 3/8"	54
62	46AB008	HARDENED FLAT WASHER 1/2"	52
63	46AB010	HARDENED FLAT WASHER 5/8	2
64	46AB012	HARDENED FLAT WASHER 3/4"	4
65	46AB100	HARDENED FLAT WASHER 1"	2
66	46AC006	LOCK WASHER 3/8"	4
67	47AB00420	NYLON LOCK NUT 1/4-20 NC	5
68	47AB00616	NYLON LOCK NUT 3/8"-16NC	32
69	47AB00813	NYLON LOCK NUT 1/2-13 NC	26
70	47AB01011	NYLON LOCK NUT 5/8"-11NC	2
71	47AB01210	NYLON LOCK NUT 3/4-10NC	2
72	47AB10008	NYLON LOCK NUT 1"-8NC	3
73	47AE00616	FLANGE NUT 3/8-16NC	3
74	47AE01011	FLANGE NUT 5/8-11NC	12
75	48AA030608	RIVET 3/16" X 3/8" - 1/2" SS	6
76	48AA031012	RIVET 3/16" X 5/8" - 3/4" SS	2
77	49AA050200	SPRING PIN 5/16"X2"	1



SWD-15H FRAME ASS.
R0415-05E03

Parts





**SWD-15H FRAME ASS.
R0415-05E03**

Parts

ITEM	NO	DESCRIPTION	QTY
1	R0415-14E01	SWD15 TEETH KIT	1
2	R0415-06E10	ECCENTRIC ASS.	1
3	R-05012	SWD15D FRAME	1
4	R-05016	SPLIT BUSHING BEARING	4
6	R-05037	AUGER SUPPORT	1
7	R-05038	COVER	2
8	R-05039	COVER	1
9	R-05072	SWD15 HITCH POLE	1
10	R-06014	FLANGE SUPPORT	1
11	R-07012	DRIVE CHAIN #80-2 (66")	1
12	R-08001	WHEEL BRACKET	1
13	R-08002	HITCH POLE PIN	1
14	R-08003	SPINDLE SUPPORT	2
15	R-08005	TRANSFER ARM SUPPORT (LEFT SIDE)	1
16	R-08006	TRANSFER ARM SUPPORT (RIGHT SIDE)	1
17	R-14007	SWD15 AUGER	1
18	R-14009	FLANGE BEARING BRACKET	1
19	R-28001	SPACER	1
20	R-34001	BUSHING	4
21	UN-06001-17	KEY 1/2" X 1/2" X 2 1/2" 1RE	1
22	UN-06001-38	KEY 5/8" X 5/8" X 3"	1
23	UN-28002-2	WASHER 1 3/8" ID X 3" OD X 3/8"	2
24	UN-28006-6	SHIM 2 1/2" (3/16")	1
25	UN-28007-10	WASHER 5/8" ID X 3" OD X 3/8"	1
26	UN-28007-11	WASHER 1/2" ID X 2 3/8" OD X 3/8"	1
27	UN-28008-4	COMPRESSION WASHER 2 1/2"ID X 3" OD X 1/4" (1 9/16")	1
28	UN-28008-14	COMPRESSION WASHER 2 1/2"IDx 3 1/2"ODx 1/2" (5/8")	1
29	UN-28011-2	SHIM 2 1/4" ID X 3 1/2" OD X 3/16"	3
30	UN-35001-2	CLEAT	5
31	UN-35013	U BOLT 5/8-16 NF X 6" X 13"	4
32	07036	SPROCKET D80B18 (2 1/4 BORE)	1
33	07036-5	SPROCKET D80B18 (2 1/2 BORE)	1
34	31054	5 PSI VENT 1/2" NPT(M)	1
35	34006-6	FLANGE BEARING 2 1/2"	1



**SWD-15H FRAME ASS.
R0415-05E03**

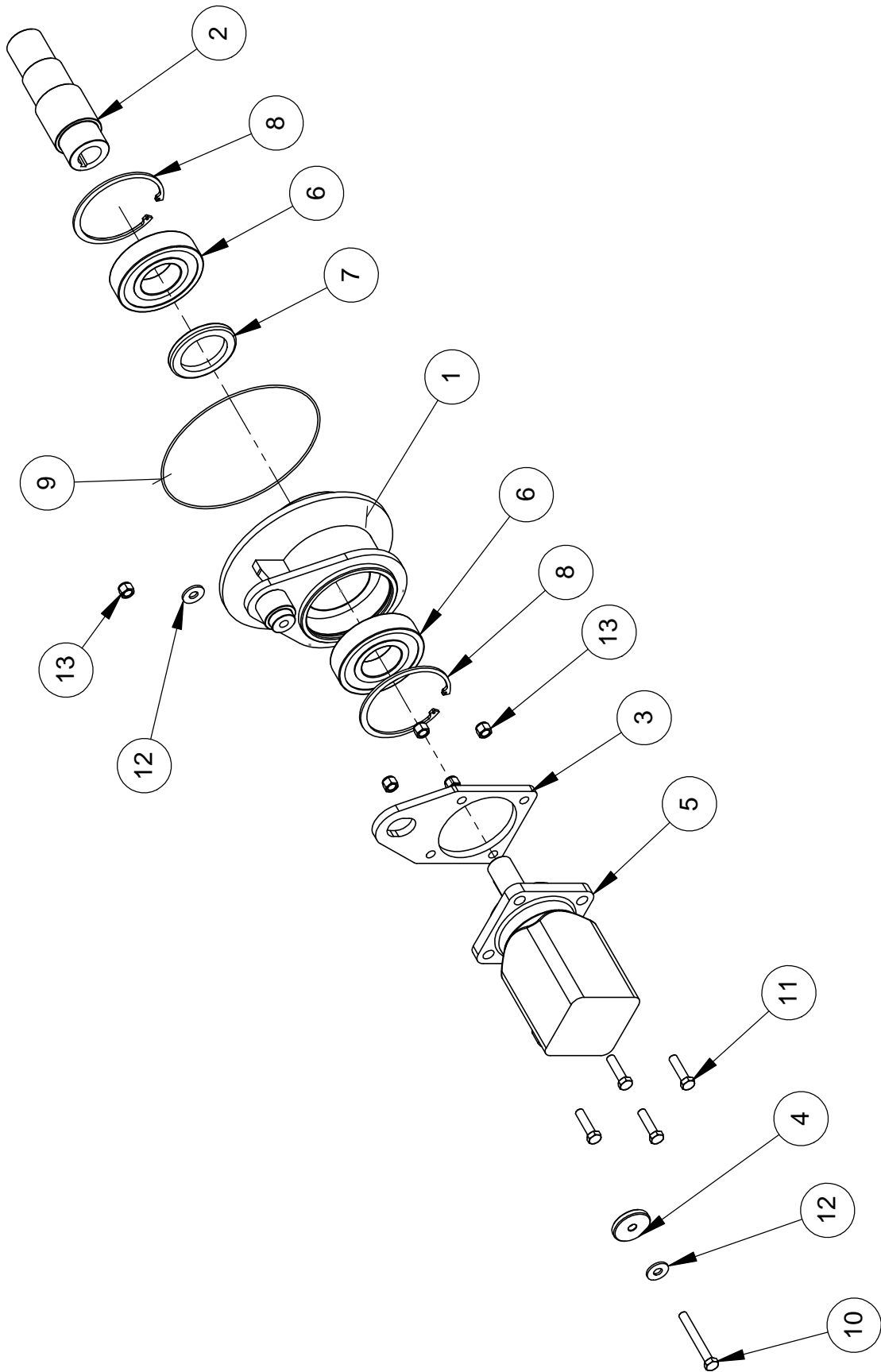
Parts

ITEM	NO	DESCRIPTION	QTY
36	34006-8	FLANGE BEARING 2 1/2" (SKF)	1
37	34039	OIL SEAL 3" ID X 4" OD X 1/2"	1
38	35012	STRAIGHT GREASE FITTING 1/8 NPT	5
39	35017-4	3/4-NPT PLUG, SQUARE RECESSED	3
40	45AA008130104	HEX BOLT 1/2-13NC x 1 1/4" GR5	1
41	45AA008130108	HEX BOLT 1/2-13NC X 1 1/2" GR5	5
42	45AA010110108	HEX BOLT 5/8-11NC X 1 1/2" GR5	1
43	45AA010110200	HEX BOLT 5/8-11NC X 2" GR5	11
44	45AA010110208	HEX BOLT 5/8-11NC X 2 1/2" GR5	5
45	45AA012100208	HEX BOLT 3/4-10NC X 2 1/2" GR5	4
46	45AE005180012	WHIZ-LOCK BOLT 5/16-18 X 3/4"	22
47	46AB010	HARDENED FLAT WASHER 5/8	15
48	46AC008	LOCK WASHER 1/2"	6
49	46AC010	LOCK WASHER 5/8"	6
50	47AB01018	NYLON LOCK NUT 5/8"-18NF	8
51	47AB10407	NYLON LOCK NUT 1 1/4"-7NC	2
52	47AB10806	NYLON LOCK NUT 1 1/2-6NC	1
53	47AC01011	STOVER LOCK NUT 5/8-11NC	11
54	47AC01210	STOVER LOCK NUT 3/4-10NC	4
55	49AB080300	DOUBLE SPRING PIN 1/2" x 3"	1



**ECCENTRIC ASS.
R0415-06E10**

Parts





**ECCENTRIC ASS.
R0415-06E10**

Parts

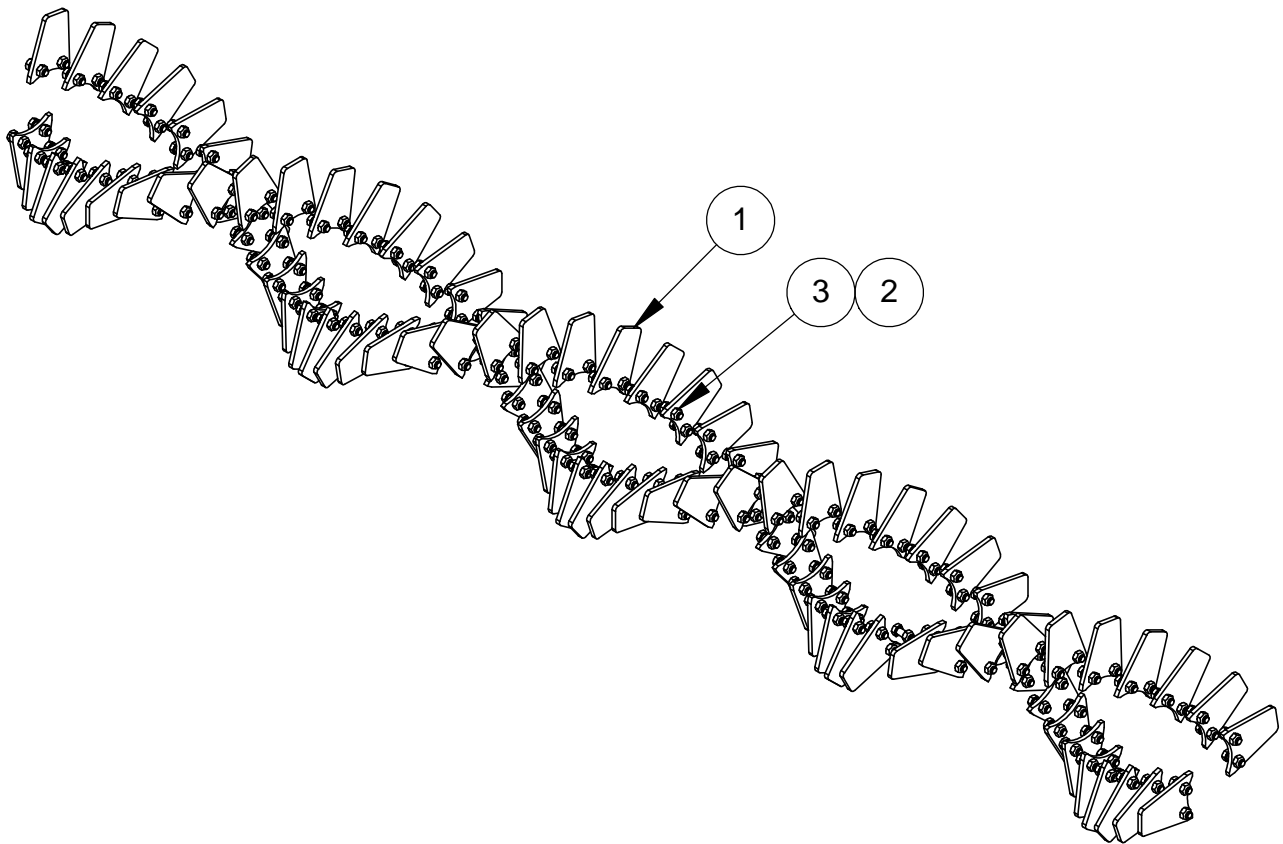
ITEM	NO	DESCRIPTION	QTY
1	R-06033	ECCENTRIC	1
2	R-06034	SHAFT	1
3	R-31016	HYDRAULIC MOTOR SUPPORT	1
4	UN-28007-11	WASHER 1/2" ID X 2 3/8" OD X 3/8"	1
5	31055-2	HYDRAULIC MOTOR 500cc	1
6	34007-6	BEARING 65 mm (6313-2RS)	2
7	34010-8	OIL SEAL	1
8	35002-7	INTERNAL RETAINING RING 140mm	2
9	35018-3	O-RING SEAL	2
10	45AA008130400	HEX BOLT 1/2-13NC X 4" GR5	1
11	45AB008130200	HEX BOLT 1/2"-13NC X 2" GR8	4
12	46AA008	FLAT WASHER 1/2"	2
13	47AB00813	NYLON LOCK NUT 1/2-13 NC	5



SWD15 TEETH KIT R0415-14E01

Parts

ITEM	NO	DESCRIPTION	QTY
1	UN-14002	ROCK RAKE TOOTH	90
2	45AA012160200	HEX BOLT 3/4-16NF. X 2" GR5	182
3	47AC01216	STOVER LOCK NUT 3/4-16NF	182

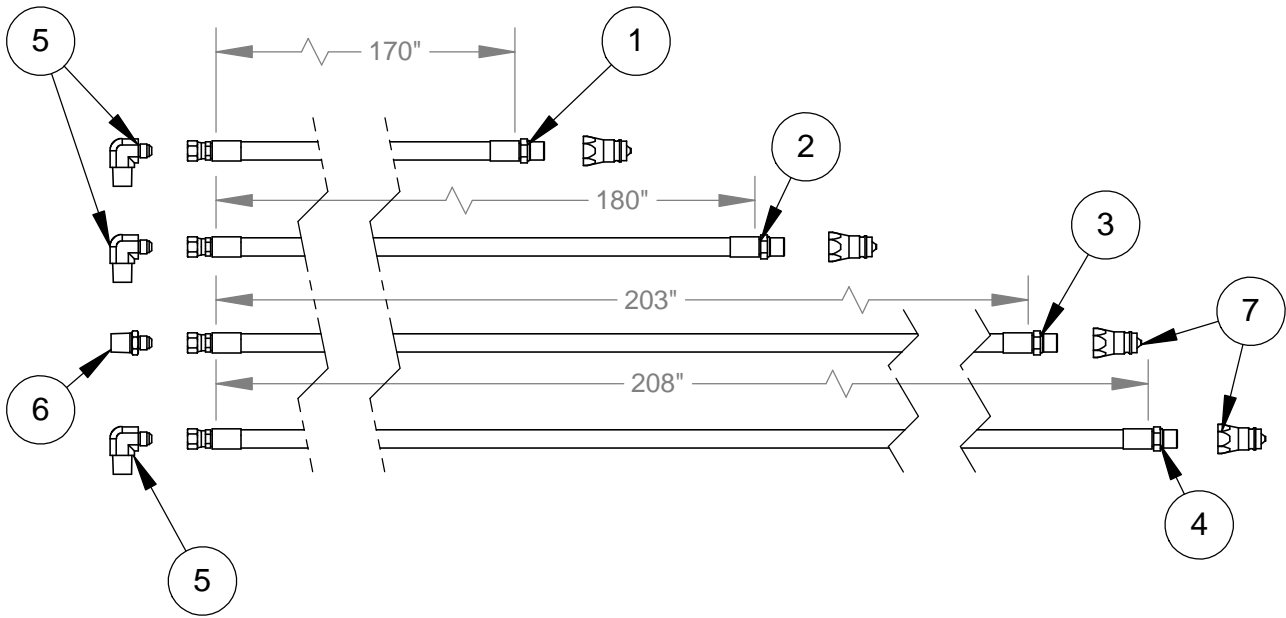




SWD15 HYD. HOSES KIT R0415-29E01

Parts

ITEM	NO	DESCRIPTION	QTY
1	UN-29028-170	HYD. HOSE 3/8" LP 3/8" JIC(F) x 1/2" ORB(M) X 170"	1
2	UN-29028-180	HYD. HOSE 3/8" LP 3/8" JIC(F) x 1/2" ORB(M) X 180"	1
3	UN-29028-203	BOYAU HYD. 3/8" LP 3/8" JIC(F) x 1/2" ORB(M) X 203"	1
4	UN-29028-208	HYD. HOSE 3/8" LP 3/8" JIC(F) x 1/2" ORB(M) X 208"	1
5	31013-6	HYDRAULIC FITTING 1/2" NPT(M) / 3/8" JIC(M)(90)	3
6	31014-7	ADAP. 1/2" NPT(M) / 3/8" JIC(M)(STR)	1
7	31016-2	QUICK COUPLER MALE 1/2"ORB(F) (S71-15P)	4

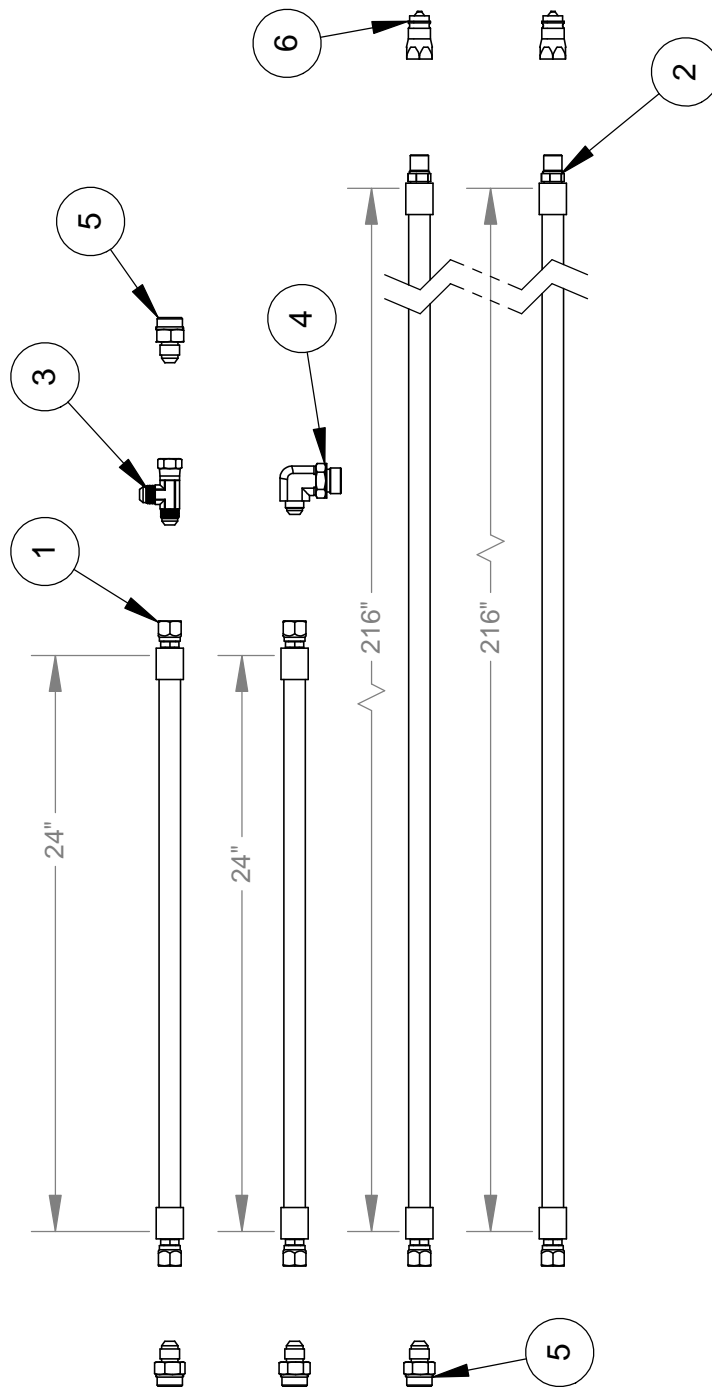




SWD-15H / SRR-15H HYD. HOSES KIT R0415-29E03

Parts

ITEM	NO	DESCRIPTION	QTY
1	UN-29009-024	HYD. HOSE 1/2" LP 1/2" JIC(F) x 1/2" JIC(F) X 24"	2
2	UN-29031-216	HYD. HOSE 1/2" LP 1/2" JIC(F) x 1/2" ORB(M) X 216"	2
3	31002-12	ADAP. 1/2 JIC(M) / 1/2 JIC(M) / 1/2 JIC(F)(RUN TEE)	1
4	31013-19	ADAP. 3/4" ORB(M) / 1/2" JIC(F)(90)	1
5	31014-46	ADAP. 3/4" ORB(M) / 1/2" JIC(M)(STR)	4
6	31016-2	QUICK COUPLER MALE 1/2"ORB(F) (S71-15P)	2





Fabrication S.Houle limited guarantee on Agricultural and Commercial Equipment.

Fabrication S.Houle Inc. guarantees every new Farm and commercial product of the manufacturer S.Houle against any defect of material and manufacturing, Fabrication S.Houle Inc. guarantees every new Farm and commercial product of the manufacturer S.Houle against any defect of material and manufacturing, within the framework of a normal use, during one year after the date of retail purchase. S.Houle will guarantee its product for (1) year, on parts and imperfection of manufacturing. This Limited Guarantee will apply only to equipments made by S Houle.

EQUIPMENT AND ACCESSORIES WHICH ARE NOT MADE BY S HOULE ARE GUARANTEED ONLY IN THE MEASURE WHICH THE GUARANTEE OF THE ORIGINAL MANUFACTURER DETERMINES AND APPROVES THAT THERE IS A MANUFACTURING DEFECT.

During the period Limited by Guarantee indicated above, any defect in the material (equipment) or in the manufacturing of any equipment fabricated by S Houle will be repaired or replaced without responsibility by an authorized independent retailer. An authorized retailer has to make the repair under guarantee or the replacement of parts. The costs of labour must be approved by Manufacturing S.Houle before beginning (undertaking) the works otherwise these could be totally refused, according to the politics (policy) of working refund (repayment) of S Houle. S.Houle reserves the right to supply parts, fort replacement which he (it) considers appropriate.

RESPONSIBILITY OF THE BUYER: This Limited Guarantee requires (demands) the appropriate maintenance and the overhauls of the Agricultural or commercial Equipment such as indicated in operator manual supplied with the new Equipment. The cost of the regular maintenance or the required services is the responsibility of the buyer. The buyer has to keep his invoices which prove that the maintenance were made.

The limited guarantee by maybe revoked (dismissed) by Fabrication S Houle if the above mentioned conditions (requirements) are not respected

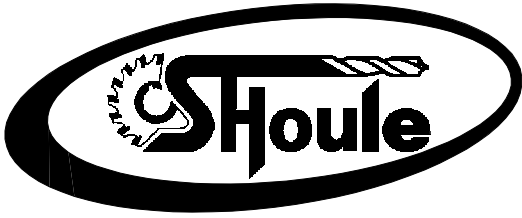
EXCLUSIONS AND LIMITATIONS

Guarantees WILL NOT APPLY on:

1. Any defect which was caused (according to the judgment of S. Houle by a use other than that normally planned, or by the following causes: i) accident (ii) a misuse or a carelessness (negligence) excessive use misses reasonable and appropriate maintenance, v) incorrect repair or bad installation (vi) or when warehoused (stored away) vii) modification non-authorized by S. Houle viii) natural disasters (ix) vandalism x) parts, or accessories installed on the equipment which were not made or not installed by the authorized retailer xi) elements (xii) collision or accidents.
2. Any agricultural or commercial equipment which the identification number or serial number or the trade names were changed or removed.
3. Any agricultural or commercial equipment services of which the required or recommended overhaul were executed by using parts not made, approved or supplied by S. Houle or not meeting the Specifications, but without limitation, lubricants (oil, grease) and liquids for hydraulics.
4. The equipment used for rental, industrial work, construction or if the equipment is used for a purpose other than the application in which it was designated (design) for by S. Houle.
5. Any equipment used for field demonstrations by a retailer approved by S Houle. The Guarantee will be to the discretion of S Houle or any other demonstration.
6. Any defect which was caused (according to the judgment of S Houle) by the operation of the equipment without submitting itself to the standard (in the standard) procedures of exploitation (operation) described in operator manual.
7. The Guarantee on tires is the responsibility of the manufacturer of the respective product.
8. Cost of the transport, if necessary, to transport to the retailer S. Houle.
9. In no case the responsibility of S Houle can exceed the cost of the product.
10. S. Houle will be subjected in no circumstances to be compensated, whoever it is, for the loss of income for a discontinued equipment, for a time of the repairs no matter the reason of this breakdown
11. The costs of estimation or the diagnostic and the overtime of work for the repair are not covered under this limited guarantee policy.
12. The depreciation caused by the normal wear, the lack of reasonable and appropriate maintenance, the misuse, and/or the lack of protection suited during warehousing.
13. Accessories and electronic components which are not of or from S Houle are guaranteed only under the limited Guarantee by this manufacturer.
14. Articles of wear which are registered by the group of product below:

Normal wear parts: flow divider, wear plates, the bolts, the nuts, spring blades, the swivel skid shoe, the special bolts of swivelling skid shoe, slide channels, chains and chain attachments, cast iron shoe, hydraulic hoses, swivel, clutch and their components, the gear box, the shaft, ...

EXCLUSION FROM GUARANTEES: S. HOULE RESERVES THE RIGHT TO MODIFY, TO CHANGE AND TO IMPROVE THEIR PRODUCTS WITHOUT INCURRING ANY OBLIGATION TO REPLACE PRODUCTS PREVIOUSLY SOLD WITH SUCH A MODIFICATION. NO PERSON IS AUTHORIZED TO GIVE ANOTHER GUARANTEE, OR TO ASSUME ANY ADDITIONAL OBLIGATION ON EQUIPMENTS MADE BY S HOULE.



Fabrication S.Houle inc.

300 Industrial blvd.
St-Germain-de-Grantham, Quebec, Canada, J0C 1K0
Phone : 819 395-4380 Fax : 819 395-5516
Toll free : 1 888-404-4380
E-Mail : info@shoule.com Web : www.shoule.com

Product Registration

Dealer instructions:
Make sure registration is complete and signed.

Product Information :

MACHINE MODEL : _____ DELIVERY DATE : _____ / _____ / _____
mm dd yyyy
SERIAL NUMBER : _____
OPTIONAL EQUIPMENT : _____

Customer Information :

FIRST & LAST NAME : _____ PHONE : _____
MAILING ADDRESS : _____ EMAIL : _____
Civic number and street
City
State / Province Zip Code

Dealer Information :

DEALER NAME : _____ PHONE : _____
MAILING ADDRESS : _____ EMAIL : _____
Civic number and street
City
State / Province Zip Code

Signatures :

Owner or designated representative signature

Authorized dealer signature
Note : Both dealer and owner must sign in order to validate the warranty.

I hereby acknowledge that:

- | | |
|--------------------------------------------------------------------------------------------------------------------------------------------------------------------------------------------------------------------------------------------------------------------------------------------------------------------------------------------------------------------------------------------------------------------------------------------------------------------------------------------------------------------------------------------------------------------------------------------------------------------------------------------------------|------------------------------------------------------------------------------------------------------------------------------------------------------------------------------------------------------------------------------------------------------------------------------------------------------------------------------------------------------------------------------------------------------------------------------------------------------------------------------------------------------|
| <ol style="list-style-type: none">1. I have received and accepted delivery of equipment described.2. The equipment was checked thoroughly for loose or missing parts and has been adjusted in accordance with the pre-delivery checklist.3. I have been provided with and have carefully read the instruction manual.4. I have read and understand the nature and extent of the warranty and understand clearly that there were and are no other representations or warranties, either express or implied, made by anyone.5. A copy of the present document must be completed and transmitted to Fa- | <ol style="list-style-type: none">6. brication S.Houle as soon as possible, in order to process your warranty.6. I have been advised on proper operation, maintenance and lubrication procedures of this equipment.7. I have been instructed on and do understand the application, limitations and capacities this equipment was designed and recommended for, all as described in the Instruction Manual and other literature published by Fabrication S.Houle inc. |
|--------------------------------------------------------------------------------------------------------------------------------------------------------------------------------------------------------------------------------------------------------------------------------------------------------------------------------------------------------------------------------------------------------------------------------------------------------------------------------------------------------------------------------------------------------------------------------------------------------------------------------------------------------|------------------------------------------------------------------------------------------------------------------------------------------------------------------------------------------------------------------------------------------------------------------------------------------------------------------------------------------------------------------------------------------------------------------------------------------------------------------------------------------------------|

ONE YEAR WARRANTY COVER PARTS ONLY, EFFECTIVE WHEN THIS FORM HAS ALL APPLICABLE INFORMATION COMPLETED, IS SIGNED BY BOTH THE OWNER AND THE DEALER AT THE TIME OF DELIVERY, THEN FORWARDED TO **FABRICATION S.HOULE INC.** WARRANTY SERVICE MAY BE DENIED IF THIS FORM CONTAINS FALSE INFORMATION OR IS INCOMPLETE.



Fabrication S.Houle inc.

300 boul. Industriel
St-Germain-de-Grantham, Québec, Canada, J0C 1K0
Tél : 819 395-4380 Téléc. : 819 395-5516
Sans frais : 1 888-404-4380
Courriel : info@shoule.com Site : www.shoule.com

Fabrication S.Houle inc.

300 Industrial blvd
St-Germain-de-Grantham, Québec, Canada, J0C 1K0
Phone : 819 395-4380 Fax. : 819 395-5516
Toll free : 1 888-404-4380
E-mail : info@shoule.com Web : www.shoule.com